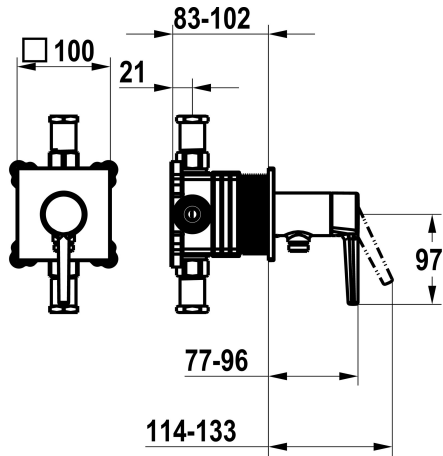


## KWC MANA

Trim kit, with safety device DIN EN 1717 – Lever mixer – Shower

Modell-Linie: MANA | 21.554.550.000  
Showers | Manual shower



### KWC-No.

**125603**  
chromeline, trim kit, with safety device DIN EN 1717



- \* Trim kit with function unit KWC HOMEBOX
- \* Outflow with integrated hose connection
- \* KWC cartridge M 35-S HF
  - with ceramic discs
  - flow rate and temperature continuously variable

- \* Scope of delivery:
  - Lever mixer unit with integrated hose connection
  - Fastening of the cover plate without screws
- \* To be ordered separately:
  - Unit for concealed installation KWC HOMEBOX Lever mixer 1 Consumers 39.006.251.931

### Technical Data

|                   |
|-------------------|
| Diameter          |
| Handling          |
| Color code        |
| Installation type |
| Faucet_typ        |
| Concealed unit    |
| material          |

|                               |
|-------------------------------|
| 100 x 100                     |
| front lever                   |
| chromeline                    |
| Wall mounted                  |
| Faucet                        |
| Trim kit, with vacuum breaker |
| Brass                         |

### Spare Parts



### Cartridge M 35-S HF

**537602**  
Z.537.602