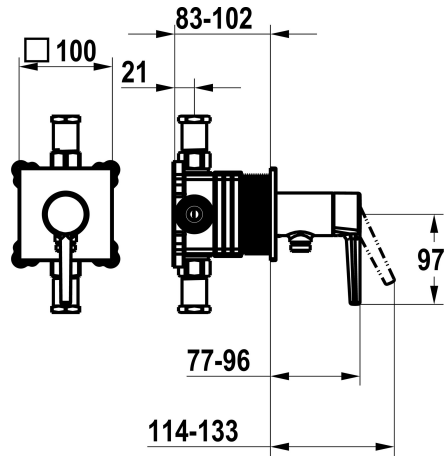


## KWC MANA

Trim kit, with safety device DIN EN 1717 – Lever mixer – Shower

Modell-Linie: MANA | 21.554.550.000

Armatura natryskowa | Armatura z zaworami obsługiwanymi ręcznie



### KWC-No.

**125603**

chromeline, trim kit, with safety device DIN EN 1717

- \* Trim kit with function unit KWC HOMEBOX
- \* Outflow with integrated hose connection
- \* KWC cartridge M 35-S HF
  - with ceramic discs
  - flow rate and temperature continuously variable

- \* Scope of delivery:
  - Lever mixer unit with integrated hose connection
  - Fastening of the cover plate without screws
- \* To be ordered separately:
  - Unit for concealed installation KWC HOMEBOX Lever mixer 1 Consumers 39.006.251.931

NEW

### Dane techniczne

średnicy
Handling
ATT-KWC-FARBCODE
Installation_type
Faucet_typ
ATT-KWC-UNTERPUTZ
Materiał

100x100
frontbedient
chromeline
Montaż naścienny
01
FM-Set mit SI
Mosiqdz

### Części zamienne



### Cartridge M 35-S HF

**537602**

Z.537.602