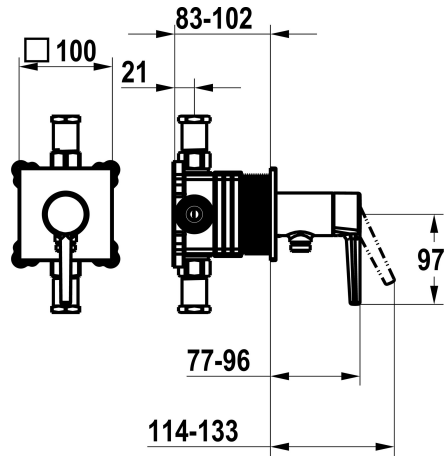


KWC MANA

Trim kit, with safety device DIN EN 1717 – Lever mixer – Shower

Modell-Linie: MANA | 21.554.550.000

Duschar | Hydraulické sprchy



KWC-No.

125603

chromeline, trim kit, with safety device DIN EN 1717

NEW

- * Trim kit with function unit KWC HOMEBOX
- * Outflow with integrated hose connection
- * KWC cartridge M 35-S HF
 - with ceramic discs
 - flow rate and temperature continuously variable

- * Scope of delivery:
 - Lever mixer unit with integrated hose connection
 - Fastening of the cover plate without screws
- * To be ordered separately:
 - Unit for concealed installation KWC HOMEBOX Lever mixer 1 Consumers 39.006.251.931

Technical Data

Diameter	100x100
Handling	frontbedient
ATT-KWC-FARBCODE	chromeline
Installation_type	Väggmontering
Faucet_typ	01
ATT-KWC-UNTERPUTZ	FM-Set mit SI
Material	Mässing

Diameter	100x100
Handling	frontbedient
ATT-KWC-FARBCODE	chromeline
Installation_type	Väggmontering
Faucet_typ	01
ATT-KWC-UNTERPUTZ	FM-Set mit SI
Material	Mässing

Reservdelar



Cartridge M 35-S HF

537602

Z.537.602