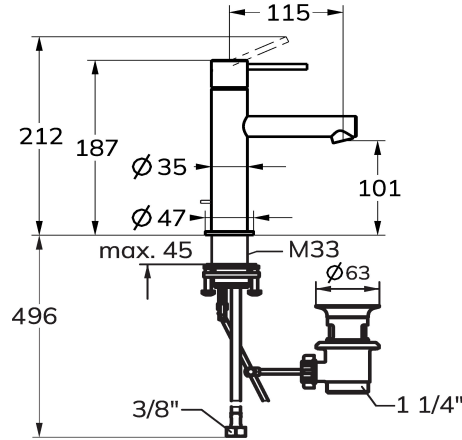


KWC ONO E Lever mixer – Washbasin

Modell-Linie: ONO E | 12.578.041.700FL
Taps | Manual taps



KWC-No.

125615
stainless steel, A115, flexible connection hoses, with pop-up valve

125617
stainless steel, A115, flexible connection hoses, without pop-up valve

- * Lever mixer
- * Made of stainless steel
- * EcoProtect - water-saving device
- * Fixed spout
- Neoperl® Caché® SSR, swivelling jet regulator
- * KWC cartridge S 25
- with ceramic discs

Color code

stainless steel

stainless steel

NEW

- flow rate and temperature continuously variable
- * Flexible connection hoses 3/8"
- * QuickInstallation - Fastening via threaded connection with locking screws
- * Mounting hole size ø35 mm
- * Scope of delivery:
- KWC pop-up valve Z.538.581.177

Technical Data

Flow rate	4.3 l/min (3 bar)
Pop-up_valve	with pop-up valve
Connection	Flexible connection hoses
Spout	fixed
Handling	top lever
Color code	stainless steel
Installation_type	Pillar installation
Faucet_typ	Lever mixer
Dimension Height	187
G_Acoustic group	I
Projection_A	A 115
Energy Label	A
Dimension Water outlet	101
material	stainless steel

Flow rate	4.3 l/min (3 bar)
Pop-up_valve	with pop-up valve
Connection	Flexible connection hoses
Spout	fixed
Handling	top lever
Color code	stainless steel
Installation_type	Pillar installation
Faucet_typ	Lever mixer
Dimension Height	187
G_Acoustic group	I
Projection_A	A 115
Energy Label	A
Dimension Water outlet	101
material	stainless steel



Spare Parts

KWC ONO E Lever mixer – Washbasin

Modell-Linie: ONO E | 12.578.041.700FL
Taps | Manual taps



Cartridge S 25

538711
Z.536.032



Service key Neoperl © Caché ©, TJ, 18 mm, green

634729
CACHETJ



Pop-up valve

3600004125
Z.538.581.177