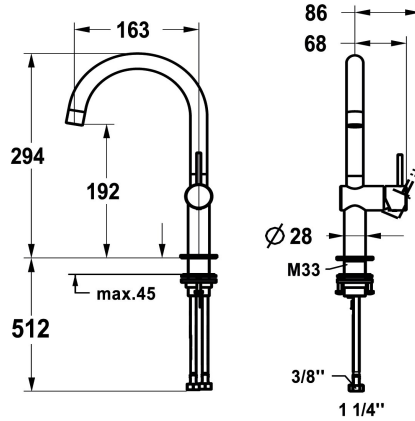


## KWC ONO E Lever mixer – Washbasin

Modell-Linie: ONO E | 12.578.142.000FL  
Taps | Manual taps



### KWC-No.

**125626**  
chromeline, A160, flexible connection hoses, without pop-up valve

**125627**  
stainless steel, A160, flexible connection hoses, without pop-up valve

- \* Lever mixer
- \* Made of stainless steel
- \* Lever installation only possible on the right side
- Child safety: cold water flow in lever position towards the front
- \* EcoProtect - water-saving device
- \* Swivel spout 120°
- Neoperl® Caché® SJR, swivelling jet regulator
- \* OptimalSpace - ample space for washing or working

### Color code

chromeline

stainless steel

NEW

- \* KWC cartridge S 25
- with ceramic discs
- flow rate and temperature continuously variable
- \* Flexible connection hoses 3/8"
- \* QuickInstallation - Fastening via threaded connection with locking screws
- \* Mounting hole size ø35 mm

### Technical Data

Flow rate
pop-up valve
Connection
Spout
Handling
Color code
Installation type
Faucet_typ
Design
Measure Height
Acoustic group
Projection A
Energy label
Dimension Water outlet
material

4.4 l/min (3 bar)
without pop-up valve
Flexible connection hoses
swivel
side lever
chromeline
Pillar installation
Faucet
J-Spout
294
yes
A 160
A
192
stainless steel



### Spare Parts

**KWC** ONO E  
Lever mixer – Washbasin

Modell-Linie: **ONO E** | **12.578.142.000FL**  
Taps | Manual taps



**Cartridge S 25**

---

**538711**  
Z.536.032

---