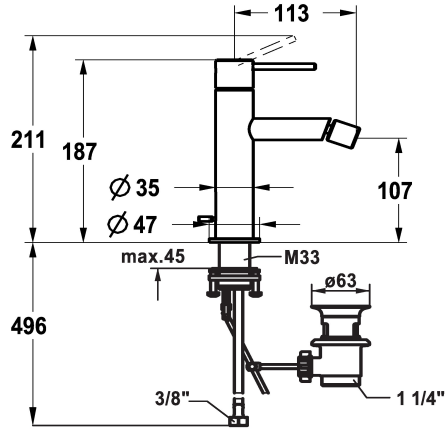


KWC ONO E Lever mixer – Bidet

Modell-Linie: ONO E | 13.578.041.000FL
Taps | Manual taps



KWC-No.

125632
chromeline, A115, flexible connection hoses, with pop-up valve

125633
stainless steel, A115, flexible connection hoses, with pop-up valve

- * Lever mixer
- * Made of stainless steel
- * EcoProtect - water-saving device
- * Fixed spout
- Ball joint aerator perlator
- * KWC cartridge S 25
- with ceramic discs

Color code

chrome

stainless steel

NEW

- flow rate and temperature continuously variable
- * Flexible connection hoses 3/8"
- * QuickInstallation - Fastening via threaded connection with locking screws
- * Mounting hole size ø35 mm
- * Scope of delivery:
- KWC pop-up valve Z.538.581.000

Technical Data

Flow rate
Pop-up_valve
Connection
Spout
Handling
Color code
Installation_type
Faucet_typ
Dimension Height
Acoustic group
Projection_A
Energy Label
Dimension Water outlet
material

4.3 l/min (3 bar)
with pop-up valve
Flexible connection hoses
fixed
top lever
chrome
Pillar installation
Faucet
211
Battery1
A 115
A
107
stainless steel



Spare Parts

KWC ONO E Lever mixer – Bidet

Modell-Linie: ONO E | 13.578.041.000FL
Taps | Manual taps



Cartridge S 25

538711
Z.536.032



Service key Neoperl © Caché ©, TJ, 18 mm, green

634729
CACHETJ
