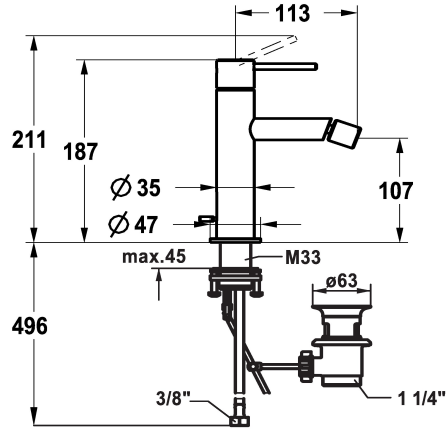


## KWC ONO E Lever mixer – Bidet

Modell-Linie: ONO E | 13.578.041.000FL  
Taps | Manual taps



### KWC-No.

**125632**  
chromeline, A115, flexible connection hoses, with pop-up valve

**125633**  
stainless steel, A115, flexible connection hoses, with pop-up valve

- \* Lever mixer
- \* Made of stainless steel
- \* EcoProtect - water-saving device
- \* Fixed spout
- Ball joint aerator perlator
- \* KWC cartridge S 25
- with ceramic discs

### Color code

chromeline

stainless steel

**NEW**

- flow rate and temperature continuously variable
- \* Flexible connection hoses 3/8"
- \* QuickInstallation - Fastening via threaded connection with locking screws
- \* Mounting hole size ø35 mm
- \* Scope of delivery:
- KWC pop-up valve Z.538.581.000

### Technical Data

Flow rate
pop-up valve
Connection
Spout
Handling
Color code
Installation type
Faucet_typ
Measure Height
Acoustic group
Projection A
Energy label
Dimension Water outlet
material

4.3 l/min (3 bar)
with pop-up valve
Flexible connection hoses
fixed
top lever
chromeline
Pillar installation
Faucet
211
yes
A 115
A
107
stainless steel



### Spare Parts

## KWC ONO E Lever mixer – Bidet

Modell-Linie: ONO E | 13.578.041.000FL  
Taps | Manual taps



**Cartridge S 25**

---

**538711**  
Z.536.032

---



**Service key Neoperl © Caché ©, TJ, 18 mm, green**

---

**634729**  
CACHETJ

---