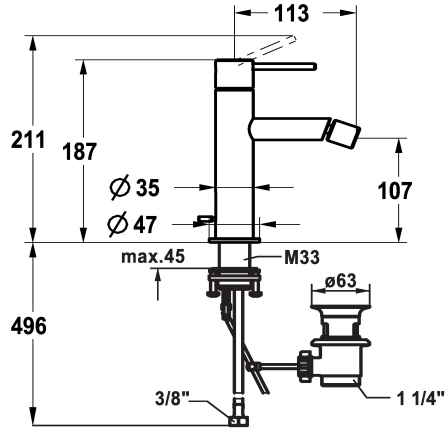


## KWC ONO E Lever mixer – Bidet

Modell-Linie: ONO E | 13.578.041.000FL  
Armatura umywalkowa | Armatura jednouchwytowa



### KWC-No.

**125632**  
chromeline, A115, flexible connection hoses, with pop-up valve

**125633**  
stainless steel, A115, flexible connection hoses, with pop-up valve

- \* Lever mixer
- \* Made of stainless steel
- \* EcoProtect - water-saving device
- \* Fixed spout
- Ball joint aerator perlator
- \* KWC cartridge S 25
- with ceramic discs

### ATT-KWC-FARBCODE

chromeline

stainless steel

NEW

- flow rate and temperature continuously variable
- \* Flexible connection hoses 3/8"
- \* QuickInstallation - Fastening via threaded connection with locking screws
- \* Mounting hole size  $\varnothing 35$  mm
- \* Scope of delivery:
- KWC pop-up valve Z.538.581.000

### Dane techniczne

A_Spout_Spray
ATT-KWC-ABLAUFGARNITUR
Connection
ATT-KWC-AUSLAUF
Handling
ATT-KWC-FARBCODE
Installation_type
Faucet_typ
Dimension Height
G_Acoustic group
Projection_A
EnergyLabelCH
ATT-KWC-MASS-WASSERAUSTRITT
Material

4.3 l/min (3 bar)
mit_Ablaufgarnitur
Flexible_Anschlusschläuche
fest
topbedient
chromeline
Standmontage
01
211
1
A115
A
107
ROSTFREIER_STAHL



### Części zamienne

## KWC ONO E Lever mixer – Bidet

Modell-Linie: ONO E | 13.578.041.000FL  
Armatura umywalkowa | Armatura jednouchwytywa



**Cartridge S 25**

---

**538711**  
Z.536.032

---

**Service key Neoperl © Caché ©, TJ, 18 mm, green**

---

**634729**  
CACHETJ

---