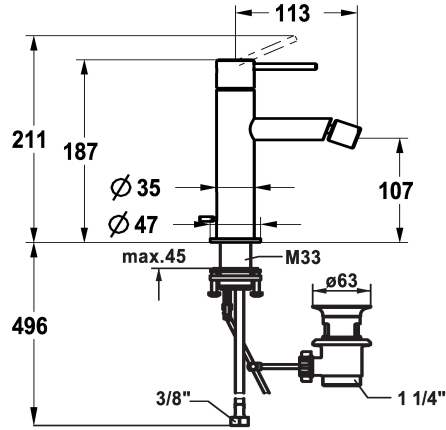


KWC ONO E Lever mixer – Bidet

Modell-Linie: ONO E | 13.578.041.700FL
Umyvadlové armatury | Hydraulické armatury



KWC-No.

125632
chromeline, A115, flexible connection hoses, with pop-up valve

125633
stainless steel, A115, flexible connection hoses, with pop-up valve

- * Lever mixer
- * Made of stainless steel
- * EcoProtect - water-saving device
- * Fixed spout
- Ball joint aerator perlator
- * KWC cartridge S 25
- with ceramic discs

ATT-KWC-FARBCODE

chromeline

stainless steel

NEW

- flow rate and temperature continuously variable
- * Flexible connection hoses 3/8"
- * QuickInstallation - Fastening via threaded connection with locking screws
- * Mounting hole size ø35 mm
- * Scope of delivery:
- KWC pop-up valve Z.538.581.177

Technické údaje

A_Spout_Spray

ATT-KWC-ABLAUFGARNITUR

Connection

ATT-KWC-AUSLAUF

Handling

ATT-KWC-FARBCODE

Installation_type

Faucet_typ

Measure_Height

G_Acoustic group

Projection_A

EnergyLabelCH

ATT-KWC-MASS-WASSERAUSTRITT

Material

4.3 l/min (3 bar)

mit_Ablaufgarnitur

Flexible_Anschlusschläuche

fixovaná

topbedient

stainless steel

Standmontage

01

211

yes

A115

A

107

ROSTFREIER_STAHL



Náhradní díly

KWC ONO E Lever mixer – Bidet

Modell-Linie: ONO E | 13.578.041.700FL
Umyvadlové armatury | Hydraulické armatury



Cartridge S 25

538711
Z.536.032



Service key Neoperl © Caché ©, TJ, 18
mm, green

634729
CACHETJ



Pop-up valve

3600004125
Z.538.581.177
