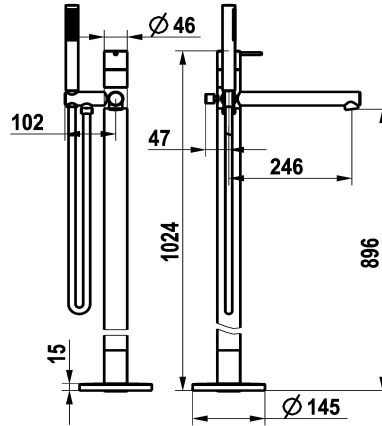
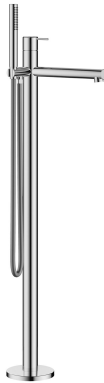


## KWC ONO E Lever mixer – Tub

Modell-Linie: ONO E | 20.571.094.000  
Showers | Exposed bath mixer



### KWC-No.

**125655**  
chromeline, A 245, with spray head, hose and holder

**125656**  
stainless steel, A 245, with spray head, hose and holder

- \* Lever mixer
- \* For freestanding tub
- \* Made of stainless steel
- \* Integrated check valve in the hose outlet
- \* with shower holder
- \* Fixed spout
- Neoperl® SLIM®
- \* KWC cartridge M 35 OP

### Color code

chrome

stainless steel

NEW

- with ceramic discs
- flow rate and temperature continuously variable
- temperature limitation
- \* Scope of delivery:
- Hand shower KWC FIT-X slim 26.000.103.000
- Shower hose 1500 mm, metal Z.538.415.000
- \* To be ordered separately:
- Unit for concealed installation 39.000.602.931

### Technical Data

Flow rate
Spray outlet: Flow rate
Spout
Shower_set
Handling
Color code
Installation_type
Faucet_typ
Dimension Height
G_Acoustic group
G_Acoustic group_Shower_outlet
Projection_A
Energy Label
Dimension Water outlet
material

21 l/min (3 bar)
12 l/min (3 bar)
fixed
with shower head, hose
top lever
chrome
Freestanding
Lever mixer
927-1024
II
I
A 245
B
806-902
stainless steel

### Mandatory Accessories

## KWC ONO E Lever mixer – Tub

Modell-Linie: ONO E | 20.571.094.000  
Showers | Exposed bath mixer



### DOMO 6.0 Concealed unit

---

**124801**  
39.000.602.931

---

### Spare Parts



### Cartridge M 35 OP

---

**538331**  
Z.537.710

---

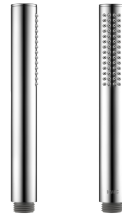


### Service key Neoperl © Caché ©, STD, 24 mm, grey

---

**635231**  
Z.635.231

---



### FIT-X Baton shower slim

---

**124493**  
26.000.103.000

---