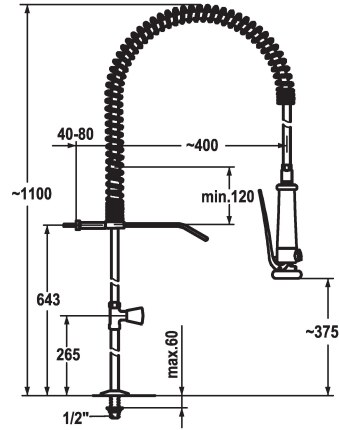


## KWC GASTRO

Commercial kitchen - Vertical shut-off valve

Modell-Linie: GASTRO | K.24.40.60.000C34

Armatura umywalkowa | Armatura jednouchwytowa



### KWC-No.

**100960**

chromeline

- \* Vertical shut-off valve
- \* Suspension spring
- \* KWC CORONA metal handle, removable (cold water)
- \* TouchProtect - anti-scald protection thanks to the "double skin" principle
- \* Pre-rinse spray
- with integrated delayed closing device to minimize water hammer with valve maintenance unit for cleaning
- SprayClean - easy to clean and actively prevents limescale

- buildup
- SprayLock - lockable jet spray
- PowerClean - needle spray mode
- \* OptimalSpace - ample space for washing or working
- \* Flat valves M20 x 1.25
- stainless steel valve seat
- \* Connecting thread 1/2"
- \* Mounting hole size  $\varnothing 22$  mm

### Dane techniczne

A_Spray (kitchen)
Connection
Kitchen_spray
ATT-KWC-FARBCODE
Installation_type
Faucet_typ
Dimension Height
G_Acoustic group
Projection_A
ATT-KWC-MASS-WASSERAUSTRITT
Material

15 l/min (3 bar)
G1/2"
Geschirbrause
chromeline
Standmontage
09
1100
1
A400
375
MESSING

