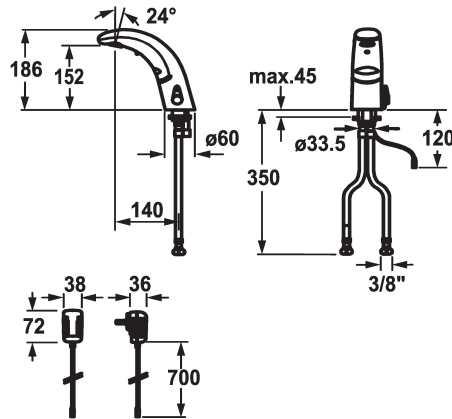


KWC IQUA

Automatic, non-contact - Basin

Modell-Linie: IQUA | K.12.JB.52.000B23

Hanot | Itsulkeutuvat hanat



KWC-No.

119599

chromeline, A 140, flexible connection hoses, without pop-up valve, mains receiver, Basic, with mixing

119601

chromeline, A 140, flexible connection hoses, without pop-up valve, battery, Basic, with mixing

* Automatic controled

- Dual infrared sensor A10

* With mixing

- temperature limiter adjustable

* EcoProtect - water-saving device

* Basic: counter-sunk iqua-click

* Microprocessor-control

- flow time adjustable (1 second factory setting)

- short time off (cleaning) activatable

- continuous water flow (filling) activatable

- sensor sensitivity adjustable permanent, automatic self-calibration

- 12- or 24-hour-hygiene flushing activatable

* Fixed spout

- Neoperl® Cascade®

* OptimalSpace - ample space for washing or working

* Electrovalve

* Flexible connection hoses 3/8"

* Fastening by means of stud bolt M8 x 1

* Mounting hole size ø35 mm

* Scope of delivery:

- Battery 6 V Lithium 2 CR5

- lifespan at 100 circuits/day; 4 years

3 Avoid using infrared controls near highly reflective surfaces (e.g. mirrors, polished stainless steel basins) as this could cause them to activate accidentally or malfunction.

Tekniset tiedot

A_Spout_Spray

ATT-KWC-ABLAUFGARNITUR

ATT-KWC-EL_STEUERUNG

Connection

Spout

ATT-KWC-IQUA_CLICK

ATT-KWC-STROMVERSORGUNG

ATT-KWC-FARBCODE

Installation_type

Faucet_typ

Measure_Height

G_Acoustic group

Projection_A

EnergyLabelCH

ATT-KWC-MASS-WASSERAUSTRITT

Materiali

IviCode

5 l/min (3 bar)

ohne_Ablaufgarnitur

berührungslos

Flexible_Anschlusschläuche

Kiinnitetty

yes

Batterie

chromeline

Standmontage

06

186

yes

A140

A

152

MESSING

0

