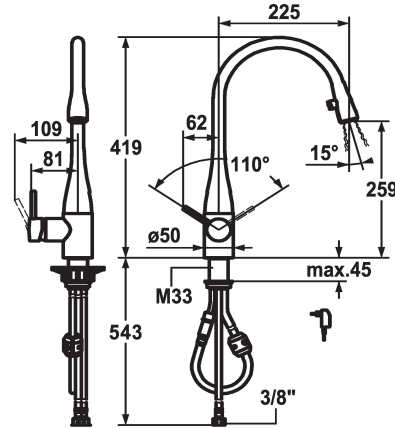


KWC EVE

Lever mixer - Kitchen - with LEDShine

Modell-Linie: EVE | 10.121.103.000FL
Taps | Manual taps



KWC-No.

121240
chromeline, A 225, flexible connection hoses, mains receiver

122169
black chrome-plated, A 225, flexible connection hoses, mains receiver

121325
stainless steel, A 225, flexible connection hoses, mains receiver

122168
glacier white, A 225, flexible connection hoses, mains receiver

Color code

chrome

black chrome-plated

stainless steel

glacier white

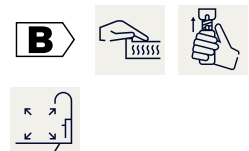
- * Lever mixer
- * Lever installation possible on the right or left side
- * TouchProtect - anti-scald protection thanks to the "double skin" principle
- * Pull-out aerator covered
- Neoperl® Caché®
- integrated ON/OFF push-button with automatic shut-off after 45 minutes
- up to 600 mm pull-out length
- hose surface to fit faucet surface
- * Hose guide, swivelling 320°

- * EasyLock - a pull-out spray that easily slides back into place
- * OptimalSpace - ample space for washing or working
- * KWC cartridge M 35
- with ceramic discs
- flow rate and temperature continuously variable
- * Flexible connection hoses 3/8"
- * Fastening by means of threaded sleeve M33 x 1.5
- * Mounting hole size ø35 mm
- * Scope of delivery:
- Mains receiver 100-240 V / operating voltage 6.75 V / cable length 1100 mm

Technical Data

Flow rate
Light
Connection
Spout
Power_supply
Handling
Kitchen_spray
Color code
Installation_type
Faucet_typ
Dimension Height
Acoustic group
Projection_A
Energy Label
Dimension Water outlet
material

10 l/min (3 bar)
Battery1
Flexible connection hoses
swivel
mains receiver
side lever
Pull-out aerator
chrome
Pillar installation
Faucet
419
Battery1
A 225
B
259
Brass



KWC EVE

Lever mixer - Kitchen - with LEDShine

Modell-Linie: EVE | 10.121.103.000FL

Taps | Manual taps

Spare Parts



Cartridge M 35

536570
Z.534.836



Service key Neoperl © Caché ©, TJ, 18 mm, green

634729
CACHETJ
