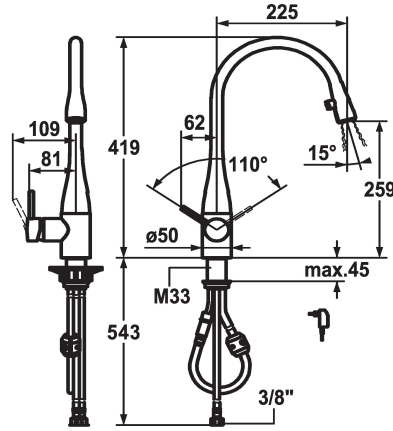


KWC EVE

Lever mixer - Kitchen - with LEDShine

Modell-Linie: EVE | 10.121.103.000FL
Taps | Manual taps



KWC-No.

121240
chromeline, A 225, flexible connection hoses, mains receiver

122169
black chrome-plated, A 225, flexible connection hoses, mains receiver

121325
stainless steel, A 225, flexible connection hoses, mains receiver

122168
glacier white, A 225, flexible connection hoses, mains receiver

Color code

chromeline

black chrome-plated

stainless steel

glacier white

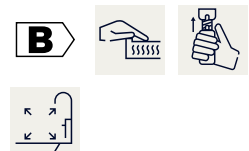
- * Lever mixer
- * Lever installation possible on the right or left side
- * TouchProtect - anti-scald protection thanks to the "double skin" principle
- * Pull-out aerator covered
- Neoperl® Caché®
- integrated ON/OFF push-button with automatic shut-off after 45 minutes
- up to 600 mm pull-out length
- hose surface to fit faucet surface
- * Hose guide, swivelling 320°

- * EasyLock - a pull-out spray that easily slides back into place
- * OptimalSpace - ample space for washing or working
- * KWC cartridge M 35
- with ceramic discs
- flow rate and temperature continuously variable
- * Flexible connection hoses 3/8"
- * Fastening by means of threaded sleeve M33 x 1.5
- * Mounting hole size ø35 mm
- * Scope of delivery:
- Mains receiver 100-240 V / operating voltage 6.75 V / cable length 1100 mm

Technical Data

| | |
|------------------------|---------------------------|
| Flow rate | 10 l/min (3 bar) |
| Light | yes |
| Connection | flexible connection hoses |
| Spout | swivel |
| Power supply | mains receiver |
| Handling | side lever |
| Kitchenspray | Pull-out aerator |
| Color code | chromeline |
| Installation type | Pillar installation |
| Faucet_typ | Faucet |
| Measure Height | 419 |
| Acoustic group | yes |
| Projection A | A 225 |
| Energy label | B |
| Dimension Water outlet | 259 |
| material | Brass |

| | |
|------------------------|---------------------------|
| Flow rate | 10 l/min (3 bar) |
| Light | yes |
| Connection | flexible connection hoses |
| Spout | swivel |
| Power supply | mains receiver |
| Handling | side lever |
| Kitchenspray | Pull-out aerator |
| Color code | chromeline |
| Installation type | Pillar installation |
| Faucet_typ | Faucet |
| Measure Height | 419 |
| Acoustic group | yes |
| Projection A | A 225 |
| Energy label | B |
| Dimension Water outlet | 259 |
| material | Brass |



KWC EVE

Lever mixer - Kitchen - with LEDShine

Modell-Linie: EVE | 10.121.103.000FL
Taps | Manual taps

Spare Parts



Cartridge M 35

536570
Z.534.836



Service key Neoperl © Caché ©, TJ, 18 mm, green

634729
CACHETJ