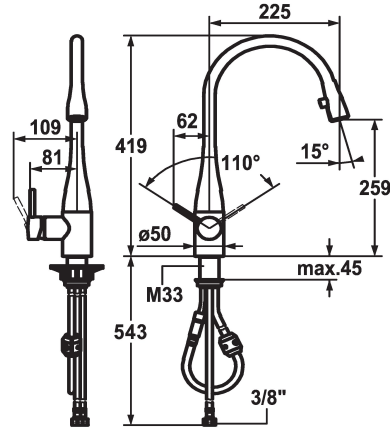


## KWC EVE Lever mixer - Kitchen

Modell-Linie: EVE | 10.111.103.000FL  
Taps | Manual taps



### KWC-No.

**121241**  
chromeline, A 225, flexible connection hoses

**121326**  
stainless steel, A 225, flexible connection hoses

### Color code

chrome

stainless steel

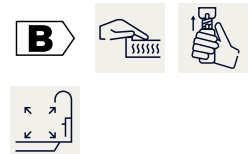
- \* Lever mixer
- \* Lever installation possible on the right or left side
- \* TouchProtect - anti-scald protection thanks to the "double skin" principle
- \* Pull-out aerator covered
  - Neoperl® Caché®
  - up to 600 mm pull-out length
  - hose surface to fit faucet surface
- \* Hose guide, swivelling 320°

- \* EasyLock - a pull-out spray that easily slides back into place
- \* OptimalSpace - ample space for washing or working
- \* KWC cartridge M 35
  - with ceramic discs
  - flow rate and temperature continuously variable
- \* Flexible connection hoses 3/8"
- \* Fastening by means of threaded sleeve M33 x 1.5
- \* Mounting hole size ø35 mm

### Technical Data

Flow rate	11 l/min (3 bar)
Connection	Flexible connection hoses
Spout	swivel
Handling	side lever
Kitchen_spray	Pull-out aerator
Color code	chrome
Installation_type	Pillar installation
Faucet_typ	Faucet
Dimension Height	419
Acoustic group	Battery1
Projection_A	A 225
Energy Label	B
Dimension Water outlet	259
material	Brass

Flow rate	11 l/min (3 bar)
Connection	Flexible connection hoses
Spout	swivel
Handling	side lever
Kitchen_spray	Pull-out aerator
Color code	chrome
Installation_type	Pillar installation
Faucet_typ	Faucet
Dimension Height	419
Acoustic group	Battery1
Projection_A	A 225
Energy Label	B
Dimension Water outlet	259
material	Brass



### Spare Parts

## KWC EVE Lever mixer - Kitchen

Modell-Linie: EVE | 10.111.103.000FL  
Taps | Manual taps



**Cartridge M 35**

---

**536570**  
Z.534.836

---



**Service key Neoperl © Caché ©, TJ, 18 mm, green**

---

**634729**  
CACHETJ

---