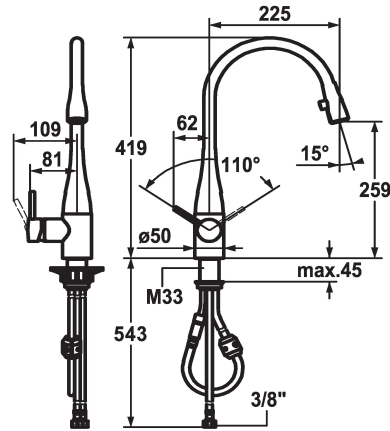


KWC EVE Lever mixer - Kitchen

Modell-Linie: EVE | 10.111.103.700FL
Taps | Manual taps



KWC-No.

121241
chromeline, A 225, flexible connection hoses

121326
stainless steel, A 225, flexible connection hoses

Color code

chromeline

stainless steel

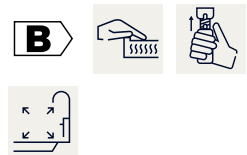
- * Lever mixer
- * Lever installation possible on the right or left side
- * Pull-out aerator covered
- Neoperl® Caché®
- up to 600 mm pull-out length
- hose surface to fit faucet surface
- * Hose guide, swivelling 320°

- * KWC cartridge M 35
- with ceramic discs
- flow rate and temperature continuously variable
- * Flexible connection hoses 1/2"
- * Fastening by means of threaded sleeve M33 x 1.5
- * Mounting hole size ø35 mm

Technical Data

Flow rate
Connection
Spout
Handling
Kitchenspray
Color code
Installation type
Faucet_typ
Dimension Height
Acoustic group
Projection A
Energy label
Dimension Water outlet
material

11 l/min (3 bar)
Flexible connection hoses
swivel
side lever
Pull-out aerator
stainless steel
Pillar installation
Faucet
419
yes
A 225
B
259
stainless steel



Spare Parts

KWC EVE Lever mixer - Kitchen

Modell-Linie: EVE | 10.111.103.700FL
Taps | Manual taps



Cartridge M 35

536570
Z.534.836



Service key Neoperl © Caché ©, TJ, 18 mm, green

634729
CACHETJ
