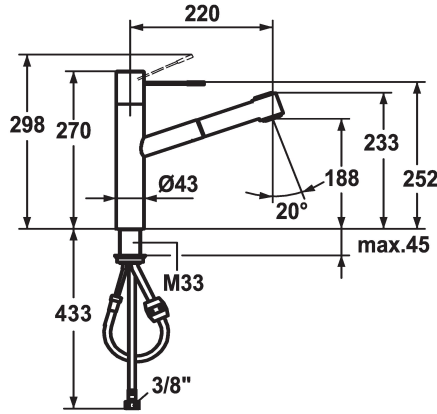


KWC ONO Lever mixer - Kitchen

Modell-Linie: ONO | 10.151.033.700FL
Hanat | Käsikäyttöiset hanat



KWC-No.

121488
stainless steel, A 220, flexible connection hoses

121791
chromeline, A 220, flexible connection hoses

ATT-KWC-FARBCODE

stainless steel

chromeline

- * Lever mixer
- * Surgical-grade hardened stainless steel lever
- * TouchProtect - anti-scald protection thanks to the "double skin" principle
- * Pull-out spray
 - SprayClean - easy to clean and actively prevents limescale buildup
 - up to 700 mm pull-out length
 - PowerClean - needle spray mode, with automatic diverter reset

- hose surface to fit faucet surface
- * Hose guide, swivelling 105°
- * EasyLock - a pull-out spray that easily slides back into place
- * KWC cartridge M 35 H
 - with ceramic discs
 - flow rate and temperature continuously variable
- * Flexible connection hoses 3/8"
- * Fastening by means of threaded sleeve M33 x 1.5
- * Mounting hole size ø35 mm

Tekniset tiedot

ATT-KWC-A_AUSZUGBRAUSE_SIEB

13 l/min (3 bar)

ATT-KWC-A_AUSZUGBRAUSE_NORMAL

12 l/min (3 bar)

Connection

Flexible_Anschlussschläuche

Spout

schwenkbar

Handling

topbedient

Kitchen_spray

Auszugbrause

ATT-KWC-FARBCODE

stainless steel

Installation_type

Standmontage

Faucet_typ

01

Measure_Height

270

G_Acoustic_group

2

Projection_A

A220

EnergyLabelCH

B

ATT-KWC-MASS-WASSERAUSTRITT

188

Materiaali

ROSTFREIER_STAHL

lviCode

0

