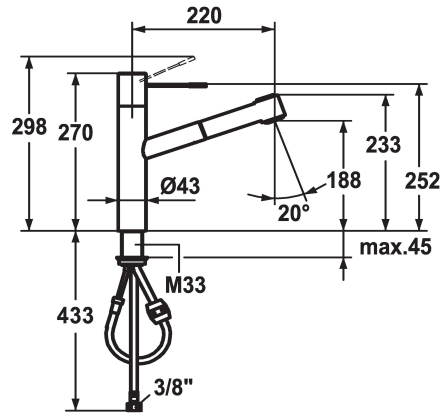


## KWC ONO Lever mixer - Kitchen

Modell-Linie: ONO | 10.151.033.700FL  
Armatura umywalkowa | Armatura jednouchwytowa



### KWC-No.

**121488**  
stainless steel, A 220, flexible connection hoses

**121791**  
chromeline, A 220, flexible connection hoses

### ATT-KWC-FARBCODE

stainless steel

chromeline

- \* Lever mixer
- \* Surgical-grade hardened stainless steel lever
- \* TouchProtect - anti-scald protection thanks to the "double skin" principle
- \* Pull-out spray
  - SprayClean - easy to clean and actively prevents limescale buildup
  - up to 700 mm pull-out length
  - PowerClean - needle spray mode, with automatic diverter reset

- hose surface to fit faucet surface
- \* Hose guide, swivelling 105°
- \* EasyLock - a pull-out spray that easily slides back into place
- \* KWC cartridge M 35 H
  - with ceramic discs
  - flow rate and temperature continuously variable
- \* Flexible connection hoses 3/8"
- \* Fastening by means of threaded sleeve M33 x 1.5
- \* Mounting hole size ø35 mm

### Dane techniczne

ATT-KWC-A_AUSZUGBRAUSE_SIEB
ATT-KWC-A_AUSZUGBRAUSE_NORMAL
Connection
ATT-KWC-AUSLAUF
Handling
Kitchen_spray
ATT-KWC-FARBCODE
Installation_type
Faucet_typ
Dimension Height
G_Acoustic_group
Projection_A
EnergyLabelCH
ATT-KWC-MASS-WASSERAUSTRITT
Material

13 l/min (3 bar)
12 l/min (3 bar)
Flexible_Anschlussschläuche
schwenkbar
topbedient
Auszugbrause
stainless steel
Standmontage
01
270
2
A220
B
188
ROSTFREIER_STAHL

