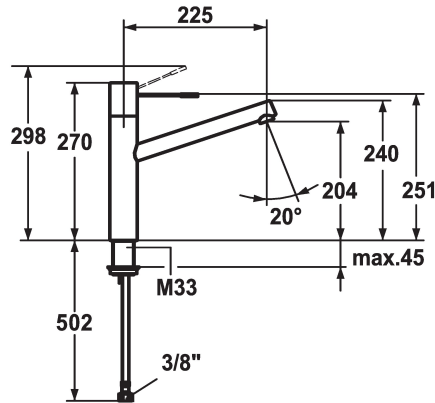


## KWC ONO Lever mixer - Kitchen

Modell-Linie: ONO | 10.151.023.700FL  
Armatura umywalkowa | Armatura jednouchwytywa



### KWC-No.

**121492**  
stainless steel, A 225, flexible connection hoses

**121794**  
chromeline, A 225, flexible connection hoses

- \* Lever mixer
- \* Surgical-grade hardened stainless steel lever
- \* Swivel spout 270°
- Neoperl® Caché®
- \* KWC cartridge M 35 H

### ATT-KWC-FARBCODE

stainless steel

chromeline

- with ceramic discs
- flow rate and temperature continuously variable
- \* Flexible connection hoses 3/8"
- \* Fastening by means of threaded sleeve M33 x 1.5
- \* Mounting hole size ø35 mm

### Dane techniczne

|                             |
|-----------------------------|
| A_Spout_Spray               |
| Connection                  |
| ATT-KWC-AUSLAUF             |
| Handling                    |
| ATT-KWC-FARBCODE            |
| Installation_type           |
| Faucet_typ                  |
| Dimension Height            |
| G_Acoustic group            |
| Projection_A                |
| EnergyLabelCH               |
| ATT-KWC-MASS-WASSERAUSTRITT |
| Material                    |

|                            |
|----------------------------|
| 12 l/min (3 bar)           |
| Flexible_Anschlusschläuche |
| schwenkbar                 |
| topbedient                 |
| stainless steel            |
| Standmontage               |
| 01                         |
| 270                        |
| 1                          |
| A225                       |
| C                          |
| 204                        |
| ROSTFREIER_STAHL           |

