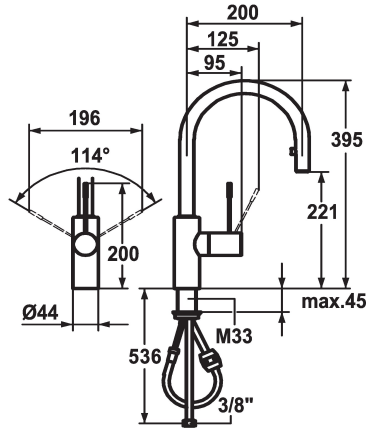


## KWC ONO

Lever mixer - Kitchen

Modell-Linie: ONO | 10.151.102.700FL

Armatura umywalkowa | Armatura jednocuchwytowa



### KWC-No.

**121496**

stainless steel, A 200, flexible connection hoses

**121797**

chromeline, A 200, flexible connection hoses

### ATT-KWC-FARBCODE

stainless steel

chromeline

- \* Lever mixer
- \* Lever installation possible on the right or left side
- \* Surgical-grade hardened stainless steel lever
- \* TouchProtect - anti-scald protection thanks to the "double skin" principle
- \* Pull-out aerator covered
- Neoperl® Caché®
- up to 700 mm pull-out length
- hose surface to fit faucet surface
- \* Hose guide, swivelling 360°

- \* EasyLock - a pull-out spray that easily slides back into place
- \* OptimalSpace - ample space for washing or working
- \* KWC cartridge M 35 H
- with ceramic discs
- flow rate and temperature continuously variable
- \* Flexible connection hoses 3/8"
- \* Fastening by means of threaded sleeve M33 x 1.5
- \* Mounting hole size ø35 mm
- \* To be ordered separately (optional or if necessary):
- Short lever, L 70 mm Z.535.995

### Dane techniczne

A_Spout_Spray
Connection
ATT-KWC-AUSLAUF
Handling
Kitchen_spray
ATT-KWC-FARBCODE
Installation_type
Faucet_typ
Dimension Height
G_Acoustic group
Projection_A
EnergyLabelCH
ATT-KWC-MASS-WASSERAUSTRITT
Material

9 l/min (3 bar)
Flexible_Anschlussschläuche
schwenkbar
seitenbedient
Auszugauslauf
stainless steel
Standmontage
01
395
2
A200
B
221
ROSTFREIER_STAHL

