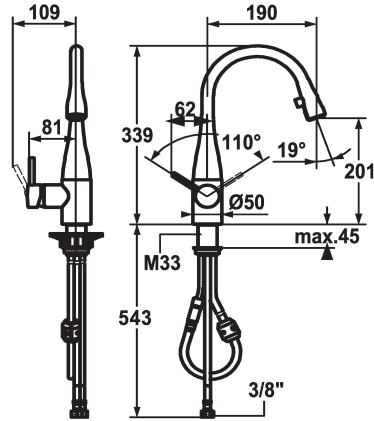


KWC EVE Lever mixer - Kitchen

Modell-Linie: EVE | 10.111.102.700FL
Kranar | Hydraulické armatúry



KWC-No.

121617
stainless steel, A 190, flexible connection hoses

121619
chromeline, A 190, flexible connection hoses

- * Lever mixer
- * Lever installation possible on the right or left side
- * TouchProtect - anti-scald protection thanks to the "double skin" principle
- * Pull-out aerator covered
 - Neoperl® Caché®
 - up to 600 mm pull-out length
 - hose surface to fit faucet surface

ATT-KWC-FARBCODE

stainless steel

chromeline

- * Hose guide, swivelling 320°
- * EasyLock - a pull-out spray that easily slides back into place
- * KWC cartridge M 35
 - with ceramic discs
 - flow rate and temperature continuously variable
- * Flexible connection hoses 3/8"
- * Fastening by means of threaded sleeve M33 x 1.5
- * Mounting hole size ø35 mm

Technical Data

A_Spout_Spray

Connection

ATT-KWC-AUSLAUF

Handling

Kitchen_spray

ATT-KWC-FARBCODE

Installation_type

Faucet_typ

Measure_Height

G_Acoustic group

Projection_A

EnergyLabelCH

ATT-KWC-MASS-WASSERAUSTRITT

Material

11 l/min (3 bar)

Flexible_Anschlusschläuche

schwenkbar

seitenbedient

Auszugauslauf

stainless steel

Standmontage

01

339

1

A190

B

201

ROSTFREIER_STAHL



Reservdelar

KWC EVE Lever mixer - Kitchen

Modell-Linie: EVE | 10.111.102.700FL
Kranar | Hydraulické armatury



Cartridge M 35

536570
Z.534.836



Service key Neoperl © Caché ©, TJ, 18 mm, green

634729
CACHETJ
