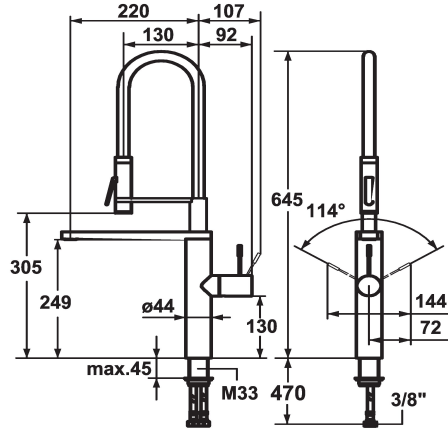


## KWC ONO Lever mixer - Kitchen

Modell-Linie: ONO | 10.151.423.700FL  
Armatura umywalkowa | Armatura jednouchwytowa



### KWC-No.

**121753**  
chromeline, A 220, flexible connection hoses

**122252**  
stainless steel, A 220, flexible connection hoses

- \* Lever mixer
- \* HighFlex patented spring hose technology
- \* Lever installation possible on the right or left side
- \* Surgical-grade hardened stainless steel lever
- \* TouchProtect - anti-scald protection thanks to the "double skin" principle
- \* Integrated vacuum diversion
- \* EasyLock - a pull-out spray that easily slides back into place
- \* Swivel spout 360°
- Neoperl® SLIM®
- \* Professional spray 360° turn
- SprayClean - easy to clean and actively prevents limescale

### ATT-KWC-FARBCODE

chromeline

stainless steel

- buildup
- PowerClean - needle spray mode
- \* OptimalSpace - ample space for washing or working
- \* KWC cartridge M 35 H
- with ceramic discs
- flow rate and temperature continuously variable
- \* Flexible connection hoses 3/8"
- \* Fastening by means of threaded sleeve M33 x 1.5
- \* Mounting hole size ø35 mm
- \* Scope of delivery:
- Spray holder Z.535.963

### Dane techniczne

A_Spout_Spray
A_Spray (kitchen)
Connection
ATT-KWC-AUSLAUF
Handling
Kitchen_spray
ATT-KWC-FARBCODE
Installation_type
Faucet_typ
Dimension Height
G_Acoustic group
Projection_A
EnergyLabelCH
ATT-KWC-MASS-WASSERAUSTRITT
Material

11 l/min (3 bar)
3 l/min (3 bar)
Flexible_Anschlusschläuche
schwenkbar
seitenbedient
Highflex(-brause)
stainless steel
Standmontage
01
645
1
A220/A130
B
249/305
ROSTFREIER_STAHL

