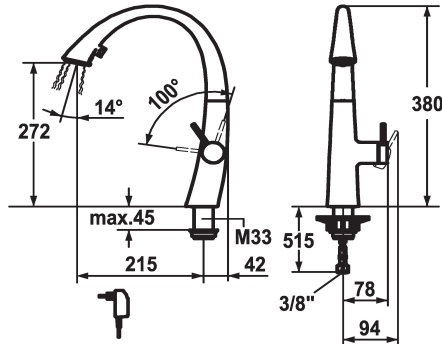


## KWC ZOE

Lever mixer - Kitchen - with LEDShine

Modell-Linie: ZOE | 10.201.122.150FL

Kranar | Hydraulické armatúry



### KWC-No.

**122916**

chromeline, A 215, flexible connection hoses, mains receiver

**124353**

matt black, A 215, flexible connection hoses, mains receiver

**122921**

decor steel, A 215, flexible connection hoses, mains receiver

**123307**

glacier white, A 215, flexible connection hoses, mains receiver

### ATT-KWC-FARBCODE

chromeline

matt black

decor steel

glacier white

\* Lever mixer

\* Lever installation only possible on the right side

- Child safety: cold water flow in lever position towards the front

\* gap between wall and centre of mounting hole min. 42 mm

\* TouchProtect - anti-scald protection thanks to the "double skin" principle

\* Covered pull-out spray

- ergonomic spout alignment, shape and handling

- SprayClean - easy to clean and actively prevents limescale buildup

- Neoperl® Cascade®

- PowerClean - needle spray mode, with automatic diverter reset

- integrated ON/OFF push-button with automatic shut-off after 30 minutes

- up to 500 mm pull-out length

\* SwivelStop - hose guide, swivelling 270°, limitable to 120°

\* EasyLock - a pull-out spray that easily slides back into place

\* OptimalSpace - ample space for washing or working

\* KWC cartridge S 25

- with ceramic discs

- flow rate and temperature continuously variable

\* Flexible connection hoses 3/8"

\* Fastening by means of threaded sleeve M33 x 1.5

\* Mounting hole size ø35 mm

\* Scope of delivery:

- Mains receiver 100-240 V / operating voltage 6.75 V / cable length 1100 mm

### Technical Data

ATT-KWC-A\_AUSZUGBRAUSE\_SIEB

9 l/min (3 bar)

ATT-KWC-A\_AUSZUGBRAUSE\_NORMAL

8 l/min (3 bar)

ATT-KWC-LICHT

1

Connection

Flexible\_Anschlussschläuche

ATT-KWC-AUSLAUF

schwenkbar

ATT-KWC-STROMVERSORGUNG

Netz AP

Handling

seitenbedient

Kitchen\_spray

Umstellbrause

ATT-KWC-FARBCODE

glacier white

Installation\_type

Standmontage

Faucet\_typ

01

ATT-KWC-BAUFORM

J-Auslauf

Measure\_Height

380

G\_Acoustic group

2

Projection\_A

A215





**KWC** ZOE

Lever mixer - Kitchen - with LEDShine

**Modell-Linie: ZOE | 10.201.122.150FL**

Kranar | Hydraulické armatury

EnergyLabelCH

A

ATT-KWC-MASS-WASSERAUSTRITT

272

Material

Mässing