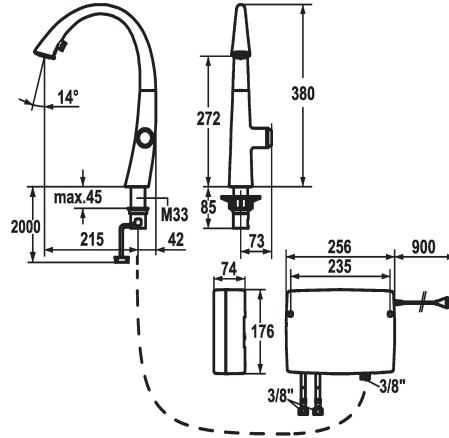


KWC ZOE touch light PRO Kitchen - with LEDShine, touch light PRO

Modell-Linie: ZOE TOUCH LIGHT PR | 10.201.242.000FL
Taps | Electronic taps



KWC-No.

123778
chromeline, A 215, flexible connection hoses, mains receiver

123783
decor steel, A 215, flexible connection hoses, mains receiver

124345
matt black, A 215, flexible connection hoses, mains receiver

Color code

chrome

decor steel

matt black

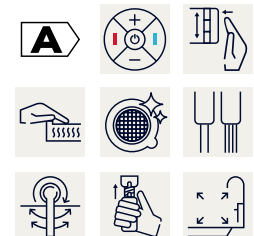
- * IntelligentControl - electronic control
- touch light PRO technology
- * touch'n'flow 1-2-3
- 3 preset temperatures and flow rates
- * Position of control unit only possible on the right side
- * gap between wall and centre of mounting hole min. 42 mm
- * TouchProtect - anti-scald protection thanks to the "double skin" principle
- * Microprocessor-control
- touch'n'flow 1: cold water, 50% flow rate can be individually adjusted and saved
- touch'n'flow 2: warm water, 50% flow rate can be individually adjusted and saved
- touch'n'flow 3: hot water, 50% flow rate can be individually adjusted and saved
- with cleaning programme
- duration of water flow - safety indication: switch off automatically after 10 minutes
- temperature limit can be adjusted
- hot water disinfection (5 minutes) can be adjusted
- can be restored to factory settings
- * Covered pull-out spray
- ergonomic spout alignment, shape and handling
- SprayClean - easy to clean and actively prevents limescale

- buildup
- Neoperl® Cascade®
- PowerClean - needle spray mode, with automatic diverter reset
- integrated ON/OFF push-button with automatic shut-off after 30 minutes
- up to 500 mm pull-out length
- hose surface to fit faucet surface
- * SwivelStop - hose guide, swivelling 270°, limitable to 120°
- * EasyLock - a pull-out spray that easily slides back into place
- * OptimalSpace - ample space for washing or working
- * touch light PRO control unit, maintenance-free
- up-to-date microprocessor and drive technology
- tried-and-tested valve technology
- incl. installation materials
- designed for wired connection to 1 operating unit (standard)
- * Flexible connection hoses 3/8"
- * Fastening by means of threaded sleeve M33 x 1.5
- * Mounting hole size ø35 mm
- * Scope of delivery:
- Mains receiver 100-240 V / operating voltage 15 V / cable length 900 mm
- * To be ordered separately (optional or if necessary):
- Extension set 1500 mm Z.536.352, comprising: stainless steel hose 1500 mm, 3/8" x 3/8", double nipple, sealing material

Technical Data

Energy label	A
Flow rate needle spray	10 l/min (3 bar)
Flow rate normal spray	9 l/min (3 bar)
Electronical control	yes
Light	3
Connection	Thermosatic
Spout	2
Power supply	2
Handling	2
Kitchenspray	yes
Color code	chrome

A
10 l/min (3 bar)
9 l/min (3 bar)
yes
3
Thermosatic
2
2
2
yes
chrome





KWC ZOE touch light PRO
Kitchen - with LEDShine, touch light PRO

Modell-Linie: ZOE TOUCH LIGHT PR | 10.201.242.000FL
Taps | Electronic taps

Installation type	yes
Faucet_typ	Elektronik
Design	5
Measure Height	380
Acoustic group	yes
Projection A	A 215