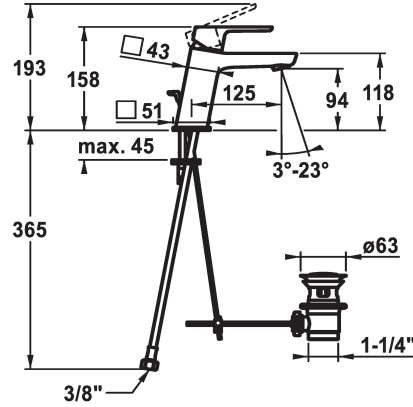


KWC MONTA Lever mixer - Basin

Modell-Linie: MONTA | 12.411.042.000FL
Taps | Manual taps



KWC-No.

124514
chromeline, A 125, flexible connection hoses, with pop-up valve

124515
chromeline, A 125, flexible connection hoses, without pop-up valve

- * Lever mixer
- * EcoProtect - water-saving device
- * Fixed spout
- Neoperl® Perlator® SSR, swivelling jet regulator
- * OptimalSpace - ample space for washing or working
- * KWC cartridge M 35 OP

pop-up assembly

with pop-up valve

without pop-up valve

- with ceramic discs
- flow rate and temperature continuously variable
- temperature limitation
- * Flexible connection hoses 3/8"
- * Fastening by means of stud bolt M8 x 1
- * Mounting hole size ø35 mm

Technical Data

Flow rate
pop-up assembly
Connection
Spout
Handling
Color code
Installation type
Faucet_typ
Dimension Height
Acoustic group
Projection A
Energy label
Dimension Water outlet
material

5 l/min (3 bar)
with pop-up valve
Flexible connection hoses
fixed
top lever
chromeline
Pillar installation
Faucet
158
yes
A 125
A
94
Brass



Spare Parts

KWC MONTA Lever mixer - Basin

Modell-Linie: MONTA | 12.411.042.000FL
Taps | Manual taps



Cartridge M 35 OP

538331
Z.537.710
