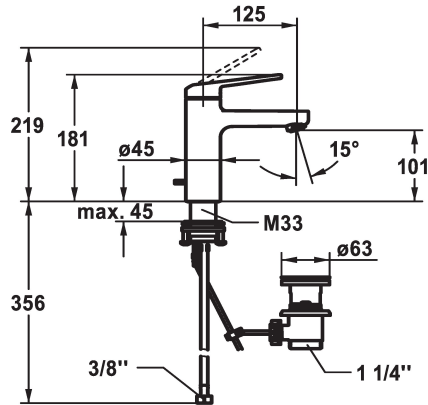


## KWC DOMO 6.0 Lever mixer - Basin

Modell-Linie: **DOMO 6.0** | 12.668.041.000FL  
Kranar | Hydraulické armatúry



### KWC-No.

**124546**  
chromeline, A 125, flexible connection hoses, with pop-up valve

**124547**  
chromeline, A 125, flexible connection hoses, without pop-up valve

- \* Lever mixer
- \* EcoProtect - water-saving device
- \* Fixed spout
- Neoperl® Cascade® SLC
- \* KWC cartridge M 35 OP
- with ceramic discs
- flow rate and temperature continuously variable

### ATT-KWC- ABLAUFGARNITUR

mit\_Ablaufgarnitur

ohne\_Ablaufgarnitur

- temperature limitation
- \* Flexible connection hoses 3/8"
- \* QuickInstallation - Fastening via threaded connection with locking screws
- \* Mounting hole size ø35 mm
- \* Scope of delivery:
- KWC pop-up valve Z.538.581.000

### Technical Data

A_Spout_Spray
ATT-KWC-ABLAUFGARNITUR
Connection
ATT-KWC-AUSLAUF
Handling
ATT-KWC-FARBCODE
Installation_type
Faucet_typ
Measure_Height
G_Acoustic group
Projection_A
EnergyLabelCH
ATT-KWC-MASS-WASSERAUSTRITT
Material

4 l/min (3 bar)
mit_Ablaufgarnitur
Flexible_Anschlusschläuche
fest
topbedient
chromeline
Standmontage
01
181
1
A125
A
101
Mässing

