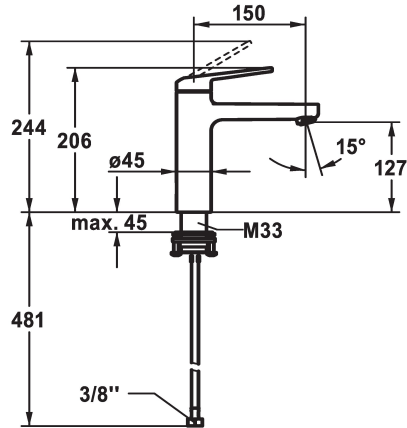


KWC DOMO 6.0 Lever mixer - Basin

Modell-Linie: DOMO 6.0 | 12.668.052.000FL
Taps | Manual taps



KWC-No.

124552
chromeline, A 150, flexible connection hoses, with pop-up valve

124553
chromeline, A 150, flexible connection hoses, without pop-up valve

- * Lever mixer
- * EcoProtect - water-saving device
- * Fixed spout
- Neoperl® Cascade® SLC
- * OptimalSpace - ample space for washing or working
- * KWC cartridge M 35 OP
- with ceramic discs

Pop-up_valve

with pop-up valve

without pop-up valve

- flow rate and temperature continuously variable
- temperature limitation
- * Flexible connection hoses 3/8"
- * QuickInstallation - Fastening via threaded connection with locking screws
- * Mounting hole size ø35 mm

Technical Data

Flow rate
Pop-up_valve
Connection
Spout
Handling
Color code
Installation_type
Faucet_typ
Dimension Height
Acoustic group
Projection_A
Energy Label
Dimension Water outlet
material

4 l/min (3 bar)
without pop-up valve
Flexible connection hoses
fixed
top lever
chrome
Pillar installation
Faucet
206
Battery1
A 150
A
127
Brass

