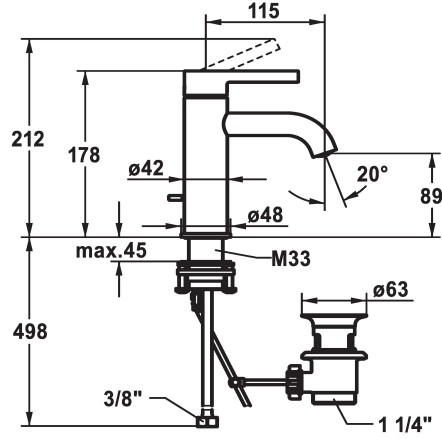


## KWC BEVO Lever mixer - Basin

Modell-Linie: BEVO | 12.421.041.000FL  
Taps | Manual taps



### KWC-No.

**124603**  
chromeline, A 115, flexible connection hoses, with pop-up valve

**124604**  
chromeline, A 115, flexible connection hoses, without pop-up valve

- \* Lever mixer
- \* EcoProtect - water-saving device
- \* Fixed spout
- Neoperl® Caché® CS, Coin Slot
- \* KWC cartridge M 35 OP
- with ceramic discs
- flow rate and temperature continuously variable

### pop-up assembly

with pop-up valve

without pop-up valve

- temperature limitation
- \* Flexible connection hoses 3/8"
- \* QuickInstallation - Fastening via threaded connection with locking screws
- \* Mounting hole size ø35 mm
- \* Scope of delivery:
- KWC pop-up valve Z.538.581.000

### Technical Data

Flow rate
pop-up assembly
Connection
Spout
Handling
Color code
Installation type
Faucet_typ
Dimension Height
Acoustic group
Projection A
Energy label
Dimension Water outlet
material

5 l/min (3 bar)
with pop-up valve
Flexible connection hoses
fixed
top lever
chromeline
Pillar installation
Faucet
178
yes
A 115
A
89
MESSING



### Spare Parts

## KWC BEVO Lever mixer - Basin

Modell-Linie: BEVO | 12.421.041.000FL  
Taps | Manual taps



### Cartridge M 35 OP

---

**538331**  
Z.537.710

---