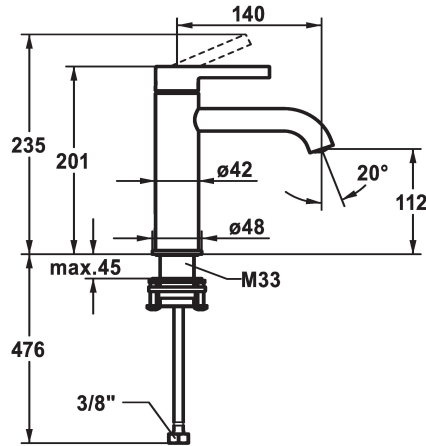


## KWC BEVO Lever mixer - Basin

Modell-Linie: BEVO | 12.421.052.000FL  
Taps | Manual taps



### KWC-No.

**124607**  
chromeline, A 140, flexible connection hoses, with pop-up valve

**124608**  
chromeline, A 140, flexible connection hoses, without pop-up valve

- \* Lever mixer
- \* EcoProtect - water-saving device
- \* Fixed spout
- Neoperl® Caché® CS, Coin Slot
- \* OptimalSpace - ample space for washing or working
- \* KWC cartridge M 35 OP
- with ceramic discs

### pop-up assembly

with pop-up valve

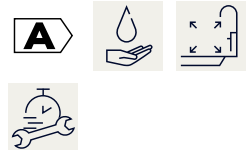
without pop-up valve

- flow rate and temperature continuously variable
- temperature limitation
- \* Flexible connection hoses 3/8"
- \* QuickInstallation - Fastening via threaded connection with locking screws
- \* Mounting hole size ø35 mm

### Technical Data

|                        |
|------------------------|
| Flow rate              |
| pop-up assembly        |
| Connection             |
| Spout                  |
| Handling               |
| Color code             |
| Installation type      |
| Faucet_typ             |
| Dimension Height       |
| Acoustic group         |
| Projection A           |
| Energy label           |
| Dimension Water outlet |
| material               |

|                           |
|---------------------------|
| 5 l/min (3 bar)           |
| without pop-up valve      |
| Flexible connection hoses |
| fixed                     |
| top lever                 |
| chromeline                |
| Pillar installation       |
| Faucet                    |
| 201                       |
| yes                       |
| A 140                     |
| A                         |
| 112                       |
| Brass                     |



### Spare Parts

**KWC BEVO**  
Lever mixer - Basin

Modell-Linie: BEVO | 12.421.052.000FL  
Taps | Manual taps



**Cartridge M 35 OP**

---

**538331**  
Z.537.710

---