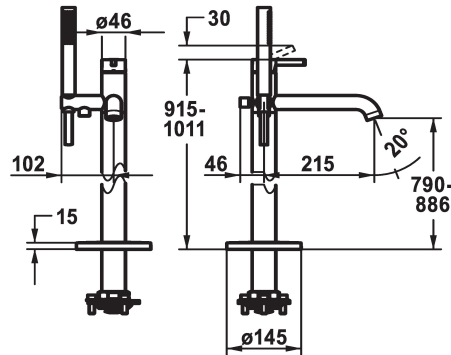
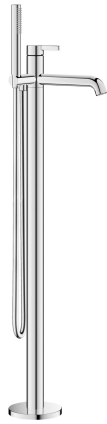


## KWC BEVO Lever mixer - Tub

Modell-Linie: BEVO | 20.421.093.000  
Duschar | Badkarsarmaturen



### KWC-No.

**124791**  
chromeline, A 215, with hand shower and hose

**125030**  
matt black, A 215, with hand shower and hose

**125057**  
brushed steel, A 215, with hand shower and hose

### ATT-KWC-FARBCODE

chromeline

matt black

brushed steel

- \* Lever mixer
- \* For freestanding tub
- \* Integrated check valve in the hose outlet
- \* with shower holder
- \* Fixed spout
- Neoperl® SLIM®
- \* KWC cartridge M 35 OP
- with ceramic discs

- flow rate and temperature continuously variable
- temperature limitation
- \* Scope of delivery:
- Hand shower KWC FIT-X slim 26.000.103.000
- Shower hose 1500 mm, metal Z.538.415.000
- \* To be ordered separately:
- Unit for concealed installation 39.000.602.931

### Technical Data

A\_Spout\_Spray

ATT-KWC-A\_BRAUSENABGANG

ATT-KWC-AUSLAUF

ATT-KWC-BRAUSEGARNITUR

Handling

ATT-KWC-FARBCODE

Installation\_type

Faucet\_typ

Measure\_Height

G\_Acoustic\_group

ATT-KWC-G\_BRAUSENABGANG

Projection\_A

EnergyLabelCH

ATT-KWC-MASS-WASSERAUSTRITT

Material

21 l/min (3 bar)

12 l/min (3bar)

fest

mit\_Brause\_Schlauch

topbedient

chromeline

Bodenstehend

01

915-1011

2

1

A215

B

790 -886

Mässing

**B**

### Reservdelar

## KWC BEVO Lever mixer - Tub

Modell-Linie: BEVO | 20.421.093.000  
Duschar | Badkarsarmaturen



**Cartridge M 35 OP**

---

**538331**  
Z.537.710

---



**Service key Neoperl © Caché ©, STD,  
24 mm, grey**

---

**635231**  
Z.635.231

---