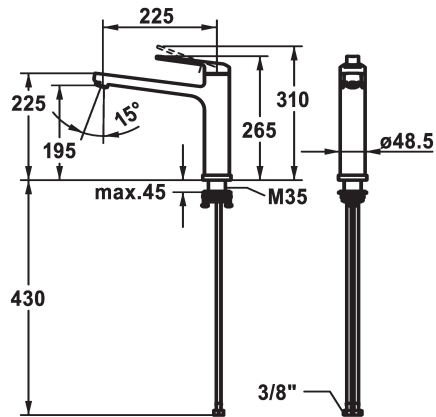
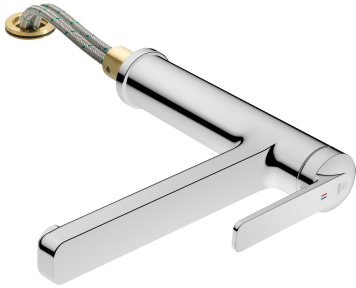


KWC DOMO 6.0 Lever mixer - Kitchen - detachable

Modell-Linie: DOMO 6.0 | 10.661.043.000FL
Taps | Manual taps



KWC-No.

124920
chromeline, A 225, flexible connection hoses

- * Lever mixer
- * Detachable for installation below windows - detached 55 mm
- * Swivel spout 150°
- Neoperl® Cascade® SLC
- * OptimalSpace - ample space for washing or working
- * KWC cartridge M 35 S
- with ceramic discs

- flow rate and temperature continuously variable
- temperature limitation
- * Flexible connection hoses 3/8"
- * Fastening by means of threaded sleeve M35 x 1.5 (preassembled socket)
- * Mounting hole size $\varnothing 35 - 37$ mm

Technical Data

Flow rate
Connection
Spout
Detachable
Handling
Color code
Installation type
Faucet_typ
Measure Height
Acoustic group
Projection A
Energy label
Dimension Water outlet
material

12 l/min (3 bar)
Flexible connection hoses
swivel
detachable
top lever
chromeline
Pillar installation
Faucet
265
yes
A 225
B
195
MESSING

