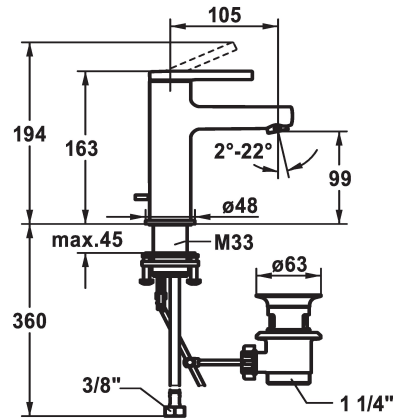


KWC AVA 2.0 Lever mixer - Basin

Modell-Linie: AVA 2.0 | 12.468.041.000FL
Taps | Manual taps



KWC-No.

125072
chromeline, A 105, flexible connection hoses, with pop-up valve

125073
chromeline, A 105, flexible connection hoses, without pop-up valve

125074
chromeline, A 105, flexible connection hoses, with Push Open

- * EcoProtect - water-saving device
- * Fixed spout
- Neoperl® Perlator® SSR, swivelling jet regulator
- * KWC cartridge S 25
- with ceramic discs
- flow rate and temperature continuously variable

pop-up valve

with pop-up valve

without pop-up valve

with Push open

- * Flexible connection hoses 3/8"
- * QuickInstallation - Fastening via threaded connection with locking screws
- * Mounting hole size ø35 mm
- * Scope of delivery:
- KWC pop-up valve Z.538.581.000

Technical Data

| |
|------------------------|
| Flow rate |
| pop-up valve |
| Connection |
| Spout |
| Handling |
| Color code |
| Installation type |
| Faucet_typ |
| Measure Height |
| Acoustic group |
| Projection A |
| Energy label |
| Dimension Water outlet |
| material |

| |
|---------------------------|
| 5 l/min (3 bar) |
| with pop-up valve |
| Flexible connection hoses |
| fixed |
| top lever |
| chromeline |
| Pillar installation |
| Faucet |
| 163 |
| yes |
| A 105 |
| A |
| 99 |
| Brass |

