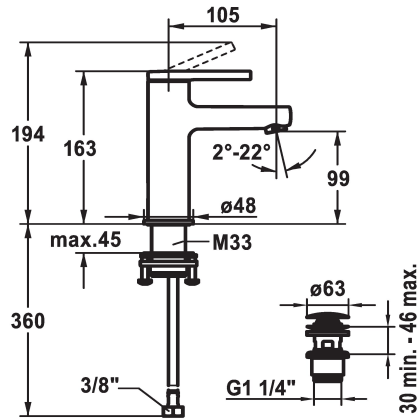


## KWC AVA 2.0 Lever mixer - Basin

Modell-Linie: AVA 2.0 | 12.468.641.000FL  
Taps | Manual taps



### KWC-No.

**125072**  
chromeline, A 105, flexible connection hoses, with pop-up valve

**125073**  
chromeline, A 105, flexible connection hoses, without pop-up valve

**125074**  
chromeline, A 105, flexible connection hoses, with Push Open

- \* EcoProtect - water-saving device
- \* Fixed spout
- Neoperl® Perlator® SSR, swivelling jet regulator
- \* KWC cartridge S 25
- with ceramic discs
- flow rate and temperature continuously variable

### Pop-up\_valve

with pop-up valve

without pop-up valve

with Push open

- \* Flexible connection hoses 3/8"
- \* QuickInstallation - Fastening via threaded connection with locking screws
- \* Mounting hole size ø35 mm
- \* Scope of delivery:
- KWC pop-up valve Push Open 2 in 1 Z.538.321.000

### Technical Data

Flow rate
Pop-up_valve
Connection
Spout
Handling
Color code
Installation_type
Faucet_typ
Dimension Height
Acoustic group
Projection_A
Energy Label
Dimension Water outlet
material

5 l/min (3 bar)
with Push open
Flexible connection hoses
fixed
top lever
chrome
Pillar installation
Faucet
163
Battery1
A 105
A
99
Brass

