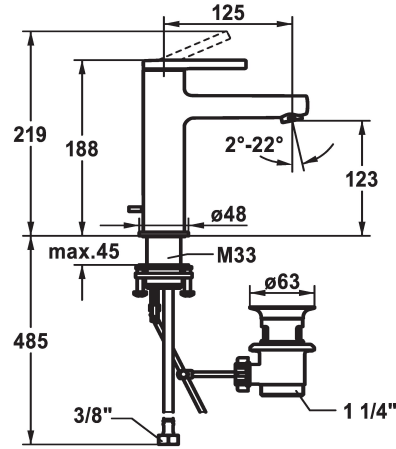


## KWC AVA 2.0 Lever mixer - Basin

Modell-Linie: AVA 2.0 | 12.468.042.000FL  
Taps | Manual taps



### KWC-No.

**125078**  
chromeline, A 125, flexible connection hoses, with pop-up valve

**125079**  
chromeline, A 125, flexible connection hoses, without pop-up valve

**125080**  
chromeline, A 125, flexible connection hoses, with Push Open

- \* EcoProtect - water-saving device
- \* Fixed spout
- Neoperl® Perlator® SSR, swivelling jet regulator
- \* KWC cartridge S 25
- with ceramic discs
- flow rate and temperature continuously variable

### Pop-up\_valve

with pop-up valve

without pop-up valve

with Push open

- \* Flexible connection hoses 3/8"
- \* QuickInstallation - Fastening via threaded connection with locking screws
- \* Mounting hole size 48 mm
- \* Scope of delivery:
- KWC pop-up valve Z.538.581.000

### Technical Data

Flow rate	5 l/min (3 bar)
Pop-up_valve	with pop-up valve
Connection	Flexible connection hoses
Spout	fixed
Handling	top lever
Color code	chrome
Installation_type	Pillar installation
Faucet_typ	Faucet
Dimension Height	168
Acoustic group	Battery1
Projection_A	A 125
Energy Label	A
Dimension Water outlet	123
material	Brass

Flow rate	5 l/min (3 bar)
Pop-up_valve	with pop-up valve
Connection	Flexible connection hoses
Spout	fixed
Handling	top lever
Color code	chrome
Installation_type	Pillar installation
Faucet_typ	Faucet
Dimension Height	168
Acoustic group	Battery1
Projection_A	A 125
Energy Label	A
Dimension Water outlet	123
material	Brass

