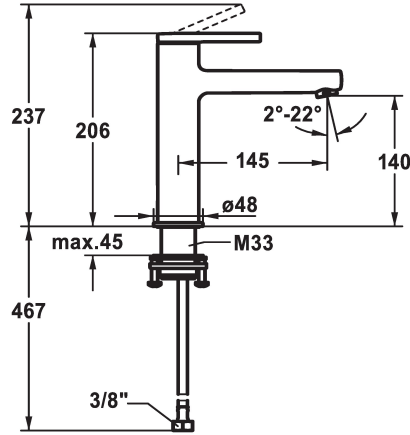


## KWC AVA 2.0 Lever mixer - Basin

Modell-Linie: AVA 2.0 | 12.468.643.000FL  
Taps | Manual taps



### KWC-No.

**125088**  
chromeline, A 145, flexible connection hoses, with pop-up valve

**125089**  
chromeline, A 145, flexible connection hoses, without pop-up valve

**125090**  
chromeline, A 145, flexible connection hoses, with Push Open

- \* EcoProtect - water-saving device
- \* Fixed spout
- Neoperl® Perlator® SSR, swivelling jet regulator
- \* OptimalSpace - ample space for washing or working\* KWC cartridge S 25
- with ceramic discs
- flow rate and temperature continuously variable

### pop-up valve

with pop-up valve

without pop-up valve

with Push open

- \* Flexible connection hoses 3/8"
- \* QuickInstallation - Fastening via threaded connection with locking screws
- \* Mounting hole size ø35 mm
- \* Scope of delivery:
- KWC pop-up valve Push Open 2 in 1 Z.538.321.000

### Technical Data

Flow rate	5 l/min (3 bar)
pop-up valve	with Push open
Connection	Flexible connection hoses
Spout	fixed
Handling	top lever
Color code	chromeline
Installation type	Pillar installation
Faucet_typ	Faucet
Measure Height	206
Acoustic group	yes
Projection A	A 145
Energy label	A
Dimension Water outlet	140
material	Brass

Flow rate	5 l/min (3 bar)
pop-up valve	with Push open
Connection	Flexible connection hoses
Spout	fixed
Handling	top lever
Color code	chromeline
Installation type	Pillar installation
Faucet_typ	Faucet
Measure Height	206
Acoustic group	yes
Projection A	A 145
Energy label	A
Dimension Water outlet	140
material	Brass

