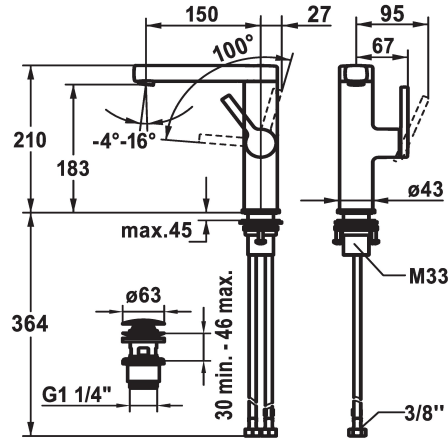


## KWC AVA 2.0 Lever mixer - Basin

Modell-Linie: AVA 2.0 | 12.468.651.000FL  
Taps | Manual taps



### KWC-No.

**125096**  
chromeline, A 150, flexible connection hoses, with pop-up valve

**125097**  
chromeline, A 150, flexible connection hoses, without pop-up valve

**125098**  
chromeline, A 150, flexible connection hoses, with Push Open

- \* Lever installation only possible on the right side
- Child safety: cold water flow in lever position towards the front
- \* gap between wall and centre of mounting hole min. 27 mm
- \* EcoProtect - water-saving device
- \* Swivel spout 120°
- Neoperl® Perlator® SJR, swivelling jet regulator
- \* OptimalSpace - ample space for washing or working
- \* KWC cartridge S 25

### pop-up valve

with pop-up valve

without pop-up valve

with Push open

- with ceramic discs
- flow rate and temperature continuously variable
- \* Flexible connection hoses 3/8"
- \* QuickInstallation - Fastening via threaded connection with locking screws
- \* Mounting hole size ø35 mm
- \* Scope of delivery:
- KWC pop-up valve Push Open 2 in 1 Z.538.321.000

### Technical Data

Flow rate
pop-up valve
Connection
Spout
Handling
Color code
Installation type
Faucet_typ
Measure Height
Acoustic group
Projection A
Energy label
Dimension Water outlet
material

5 l/min (3 bar)
with Push open
Flexible connection hoses
swivel
side lever
chromeline
Pillar installation
Faucet
210
yes
A 150
A
183
Brass

