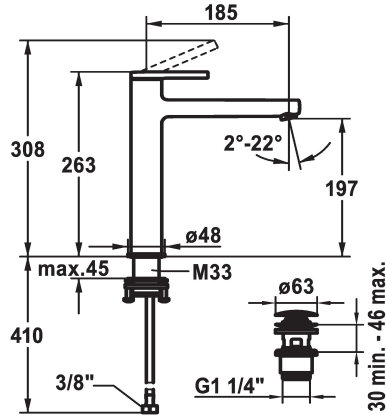


## KWC AVA 2.0 Lever mixer - Basin

Modell-Linie: AVA 2.0 | 12.468.663.000FL  
Taps | Manual taps



### KWC-No.

**125100**  
chromeline, A 185, flexible connection hoses, without pop-up valve

**125101**  
chromeline, A 185, flexible connection hoses, with Push Open

- \* For top-mounted basins
- \* EcoProtect - water-saving device
- \* Fixed spout
- Neoperl® Perlator® SSR, swivelling jet regulator
- \* OptimalSpace - ample space for washing or working
- \* KWC cartridge S 25
- with ceramic discs

### Pop-up\_valve

without pop-up valve

with Push open

- flow rate and temperature continuously variable
- \* Flexible connection hoses 3/8"
- \* QuickInstallation - Fastening via threaded connection with locking screws
- \* Mounting hole size  $\varnothing 35$  mm
- \* Scope of delivery:
- KWC pop-up valve Push Open 2 in 1 Z.538.321.000

### Technical Data

Flow rate
Pop-up_valve
Connection
Handling
Color code
Installation_type
Faucet_typ
Dimension Height
Acoustic group
Projection_A
Energy Label
Dimension Water outlet
material

5 l/min (3 bar)
with Push open
Flexible connection hoses
top lever
chrome
for top-mounted sinks
Faucet
263
Battery1
A 185
B
197
Brass

