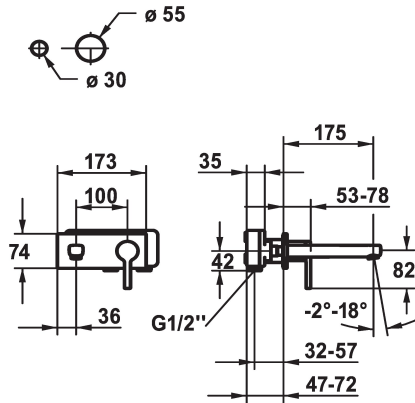
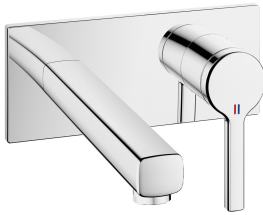


## KWC AVA 2.0 Trim kit - Lever mixer - Basin

Modell-Linie: AVA 2.0 | 11.462.033.000  
Armatura umywalkowa | Armatura jednouchwytywa



### KWC-No.

**125105**  
chromeline, A 175, Trim kit

**125106**  
chromeline, A 225, Trim kit

### Projection\_A

A175

A225

- \* Fixed spout
- Neoperl® Perlator® SSR, swivelling jet regulator
- \* OptimalSpace - ample space for washing or working
- \* KWC cartridge M 35 H
- with ceramic discs

- flow rate and temperature continuously variable
- \* To be ordered separately:
- Unit for concealed installation ½" 39.001.402.000
- \* To be ordered separately (optional or if necessary):
- Extension set 20 mm Z.536.333

### Dane techniczne

A_Spout_Spray	5 l/min (3 bar)
ATT-KWC-AUSLAUF	fest
średnicy	173x74
Handling	frontbedient
ATT-KWC-FARBCODE	chromeline
Installation_type	Montaż naścienny
Faucet_typ	01
G_Acoustic_group	1
ATT-KWC-UNTERPUTZ	FM-Set
Projection_A	A175
EnergyLabelCH	A
Materiał	Mosiądz



### Niezbędne akcesoria





## **KWC** AVA 2.0

Trim kit - Lever mixer - Basin

**Modell-Linie: AVA 2.0 | 11.462.033.000**

Armatura umywalkowa | Armatura jednouchwytowa

### **AVA 2.0 Concealed unit**

---

**125189**

39.001.402.000

---