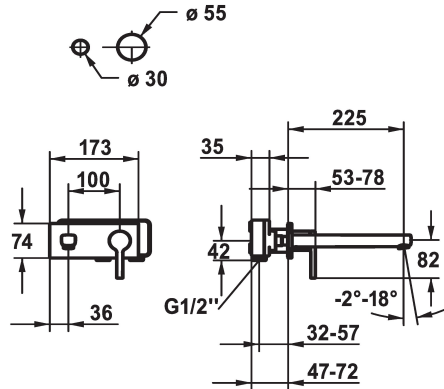


## KWC AVA 2.0 Trim kit - Lever mixer - Basin

Modell-Linie: AVA 2.0 | 11.462.034.000  
Armatura umywalkowa | Armatura jednouchwytowa



### KWC-No.

**125105**  
chromeline, A 175, Trim kit

**125106**  
chromeline, A 225, Trim kit

### Projection\_A

A175

A225

- \* Fixed spout
- Neoperl® Perlator® SSR, swivelling jet regulator
- \* OptimalSpace - ample space for washing or working
- \* KWC cartridge M 35 H
- with ceramic discs

- flow rate and temperature continuously variable
- \* To be ordered separately:
- Unit for concealed installation ½" 39.001.402.000
- \* To be ordered separately (optional or if necessary):
- Extension set 20 mm Z.536.333

### Dane techniczne

A_Spout_Spray
ATT-KWC-AUSLAUF
średnicy
Handling
ATT-KWC-FARBCODE
Installation_type
Faucet_typ
G_Acoustic_group
ATT-KWC-UNTERPUTZ
Projection_A
EnergyLabelCH
Materiał

5 l/min (3 bar)
fest
173x74
frontbedient
chromeline
Montaż naścienny
01
1
FM-Set
A225
A
Mosiqdz



### Niezbędne akcesoria





## **KWC** AVA 2.0

Trim kit - Lever mixer - Basin

**Modell-Linie: AVA 2.0 | 11.462.034.000**

Armatura umywalkowa | Armatura jednouchwytyowa

### **AVA 2.0 Concealed unit**

---

**125189**

39.001.402.000

---