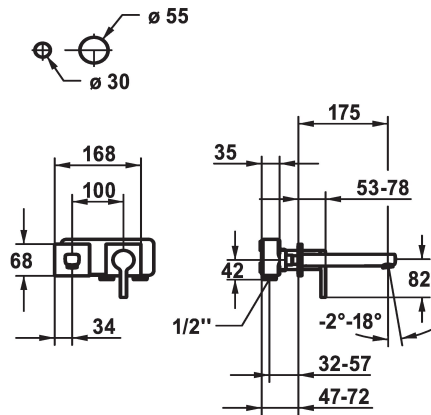
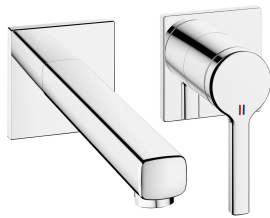


KWC AVA 2.0 Trim kit - Lever mixer - Basin

Modell-Linie: AVA 2.0 | 11.462.063.000
Armatura umywalkowa | Armatura jednouchwytywa



KWC-No.

125108
chromeline, A 175, Trim kit

125109
chromeline, A 225, Trim kit

Projection_A

A175

A225

- * Fixed spout
- Neoperl® Perlator® SSR, swivelling jet regulator
- * OptimalSpace - ample space for washing or working
- * KWC cartridge M 35 H
- with ceramic discs

- flow rate and temperature continuously variable
- * To be ordered separately:
- Unit for concealed installation 1/2" 39.001.402.000
- * To be ordered separately (optional or if necessary):
- Extension set 20 mm Z.536.333

Dane techniczne

A_Spout_Spray
ATT-KWC-AUSLAUF
średnicy
Handling
ATT-KWC-FARBCODE
Installation_type
Faucet_typ
G_Acoustic_group
ATT-KWC-UNTERPUTZ
Projection_A
EnergyLabelCH
Materiał

5 l/min (3 bar)
fest
168x68
frontbedient
chromeline
Montaż naścienny
01
1
FM-Set
A175
A
Mosiqdz



Niezbędne akcesoria





KWC AVA 2.0

Trim kit - Lever mixer - Basin

Modell-Linie: AVA 2.0 | 11.462.063.000

Armatura umywalkowa | Armatura jednouchwytowa

AVA 2.0 Concealed unit

125189

39.001.402.000
