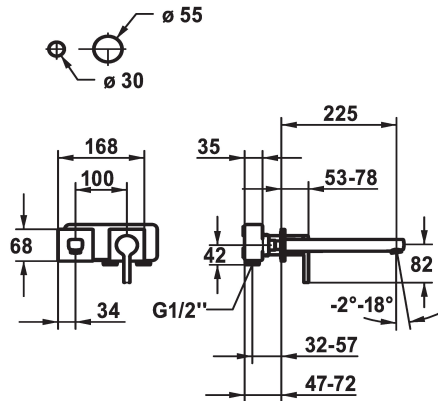
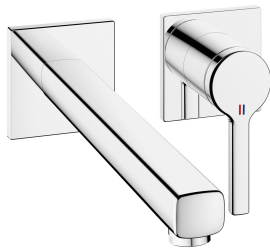


KWC AVA 2.0 Trim kit - Lever mixer - Basin

Modell-Linie: AVA 2.0 | 11.462.064.000
Umyvadlové armatury | Hydraulické armatury



KWC-No.

125108
chromeline, A 175, Trim kit

125109
chromeline, A 225, Trim kit

- * Fixed spout
- Neoperl® Perlator® SSR, swivelling jet regulator
- * OptimalSpace - ample space for washing or working
- * KWC cartridge M 35 H
- with ceramic discs

Projection_A

A175

A225

- flow rate and temperature continuously variable
- * To be ordered separately:
- Unit for concealed installation ½" 39.001.402.000
- * To be ordered separately (optional or if necessary):
- Extension set 20 mm Z.536.333

Technické údaje

A_Spout_Spray

ATT-KWC-AUSLAUF

ATT-KWC-DURCHMESSER

Handling

ATT-KWC-FARBCODE

Installation_type

Faucet_typ

G_Acoustic group

ATT-KWC-UNTERPUTZ

Projection_A

EnergyLabelCH

Material

5 l/min (3 bar)

fixovaná

168x68

frontbedient

chromeline

montáž na stěnu

01

yes

FM-Set

A225

A

mosaz



Nezbytné příslušenství





KWC AVA 2.0

Trim kit - Lever mixer - Basin

Modell-Linie: AVA 2.0 | 11.462.064.000

Umyvadlové armatury | Hydraulické armatury

AVA 2.0 Concealed unit

125189

39.001.402.000
