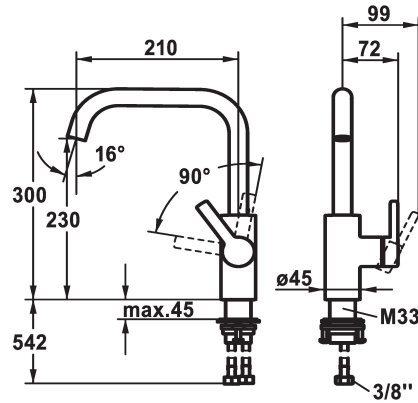


## KWC LUNA E Lever mixer - Kitchen

Modell-Linie: LUNA E | 10.441.013.000FL  
Taps | Manual taps



### KWC-No.

**125131**  
chromeline, A210

**125132**  
matt black, A210

### Color code

chromeline

matt black

- \* Lever mixer
- \* Lever installation only possible on the right side
- Child safety: cold water flow in lever position towards the front
- \* gap between wall and centre of mounting hole min. 25 mm
- \* SwivelStop - swivel spout 360°, limitable to 150°
- Neoperl® Caché®
- \* KWC cartridge M 35 S

- with ceramic discs
- flow rate and temperature continuously variable
- \* Flexible connection hoses 3/8"
- \* QuickInstallation - Fastening via threaded connection with locking screws
- \* Mounting hole size ø35 mm

### Technical Data

Flow rate
Connection
Spout
Handling
Color code
Installation type
Faucet_typ
Dimension Height
Acoustic group
Projection A
Energy label
Dimension Water outlet
material

12 l/min (3 bar)
Flexible connection hoses
swivel
side lever
chromeline
Pillar installation
Faucet
300
yes
A 210
B
230
MESSING

