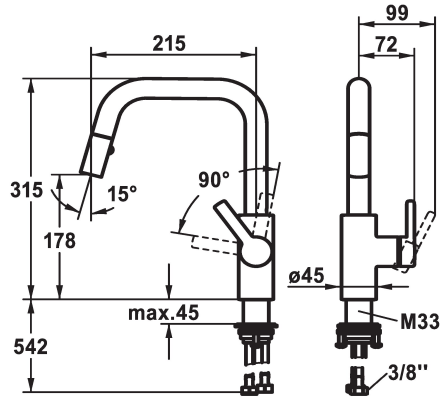


KWC LUNA E Lever mixer - Kitchen

Modell-Linie: LUNA E | 10.441.004.000FL
Taps | Manual taps



KWC-No.

125133
chromeline, A215

125134
matt black, A215

Color code

chromeline

matt black

- * Lever mixer
- * Lever installation only possible on the right side
- Child safety: cold water flow in lever position towards the front
- * gap between wall and centre of mounting hole min. 25 mm
- * TouchProtect - anti-scald protection thanks to the "double skin" principle
- * Pull-out spray
- Neoperl® Cascade®
- PowerClean - needle spray mode, with automatic diverter reset
- up to 400 mm pull-out length

- black fabric hose
- QuickConnect - Simple hose connection system
- * SwivelStop - hose guide, swivelling 360°, limitable to 150°
- * KWC cartridge M 35 S
- with ceramic discs
- flow rate and temperature continuously variable
- * Flexible connection hoses 3/8"
- * QuickInstallation - Fastening via threaded connection with locking screws
- * Mounting hole size ø35 mm

Technical Data

| | |
|------------------------|---------------------------|
| Flow rate needle spray | 8 l/min (3 bar) |
| Flow rate normal spray | 8 l/min (3 bar) |
| Connection | Flexible connection hoses |
| Spout | swivel |
| Handling | side lever |
| Kitchenspray | Pull-out spray |
| Color code | chromeline |
| Installation type | Pillar installation |
| Faucet_typ | Faucet |
| Dimension Height | 315 |
| Acoustic group | yes |
| Projection A | A 215 |
| Energy label | A |
| Dimension Water outlet | 178 |
| material | MESSING |

