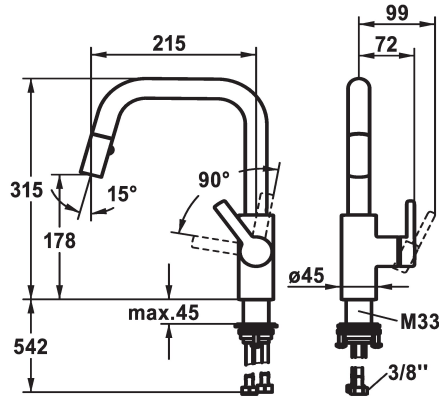


## KWC LUNA E Lever mixer - Kitchen

Modell-Linie: LUNA E | 10.441.004.000FL  
Armatura umywalkowa | Armatura jednouchwytywa



### KWC-No.

**125133**  
chromeline, A215

**125134**  
matt black, A215

### ATT-KWC-FARBCODE

chromeline

matt black

- \* Lever mixer
- \* Lever installation only possible on the right side
- Child safety: cold water flow in lever position towards the front
- \* gap between wall and centre of mounting hole min. 25 mm
- \* TouchProtect - anti-scald protection thanks to the "double skin" principle
- \* Pull-out spray
- Neoperl® Cascade®
- PowerClean - needle spray mode, with automatic diverter reset
- up to 400 mm pull-out length

- black fabric hose
- QuickConnect - Simple hose connection system
- \* SwivelStop - hose guide, swivelling 360°, limitable to 150°
- \* KWC cartridge M 35 S
- with ceramic discs
- flow rate and temperature continuously variable
- \* Flexible connection hoses 3/8"
- \* QuickInstallation - Fastening via threaded connection with locking screws
- \* Mounting hole size ø35 mm

### Dane techniczne

ATT-KWC-A\_AUSZUGBRAUSE\_SIEB

8 l/min (3 bar)

ATT-KWC-A\_AUSZUGBRAUSE\_NORMAL

8 l/min (3 bar)

Connection

Flexible\_Anschlusschläuche

ATT-KWC-AUSLAUF

schwenkbar

Handling

seitenbedient

Kitchen\_spray

Auszugbrause

ATT-KWC-FARBCODE

chromeline

Installation\_type

Standmontage

Faucet\_typ

01

Dimension Height

315

G\_Acoustic group

1

Projection\_A

A215

EnergyLabelCH

A

ATT-KWC-MASS-WASSERAUSTRITT

178

Material

Mosiqdz

