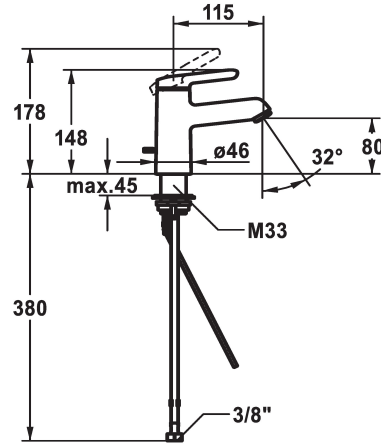
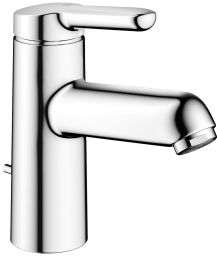


## KWC WAMAS 2.0 Lever mixer - Basin

Modell-Linie: WAMAS 2.0 | 12.478.041.000FLGE  
Hanat | Käsi­käyt­toiset hanat



### KWC-No.

**125145**  
chromeline, A 115, flexible connection hoses, without pop-up valve, with bar

- \* Lever mixer
- \* EcoProtect - water-saving device
- \* Fixed spout
- Neoperl® Perlator® SSR, swivelling jet regulator
- \* KWC cartridge M 35 OP
- with ceramic discs
- flow rate and temperature continuously variable

- temperature limitation
- \* Flexible connection hoses 3/8"
- \* QuickInstallation - Fastening via threaded connection with locking screws
- \* Mounting hole size  $\varnothing 35$  mm
- \* Scope of delivery:
- KWC pop-up valve Z.538.581.000

### Tekniset tiedot

A_Spout_Spray
ATT-KWC-ABLAUFGARNITUR
Connection
Spout
Handling
ATT-KWC-FARBCODE
Installation_type
Faucet_typ
Measure_Height
G_Acoustic group
Projection_A
EnergyLabelCH
ATT-KWC-MASS-WASSERAUSTRITT
Materiaali
IviCode

5 l/min (3 bar)
ohne_Ablaufgarnitur_mit_Gest.
Flexible_Anschluss­schläuche
Kiinnitetty
topbedient
chromeline
Standmontage
01
148
yes
A115
A
80
Messinki
0

