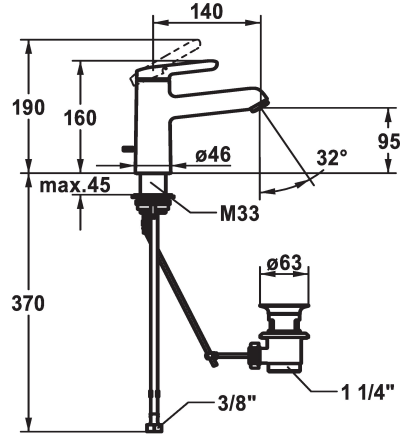


## KWC WAMAS 2.0 Lever mixer - Basin

Modell-Linie: WAMAS 2.0 | 12.478.042.000FL  
Hanat | Käsitöötiset hanat



### KWC-No.

**125149**  
chromeline, A 140, flexible connection hoses, with pop-up valve

**125150**  
chromeline, A 140, flexible connection hoses, without pop-up valve

- \* Lever mixer
- \* EcoProtect - water-saving device
- \* Fixed spout
- Neoperl® Perlator® SSR, swivelling jet regulator
- \* KWC cartridge M 35 OP
- with ceramic discs
- flow rate and temperature continuously variable

### ATT-KWC- ABLAUGGARNITUR

mit\_Ablaufgarnitur

ohne\_Ablaufgarnitur

- temperature limitation
- \* Flexible connection hoses 3/8"
- \* QuickInstallation - Fastening via threaded connection with locking screws
- \* Mounting hole size ø35 mm
- \* Scope of delivery:
- KWC pop-up valve Z.538.581.000

### Tekniset tiedot

A\_Spout\_Spray

ATT-KWC-ABLAUGGARNITUR

Connection

Spout

Handling

ATT-KWC-FARBCODE

Installation\_type

Faucet\_typ

Measure\_Height

G\_Acoustic group

Projection\_A

EnergyLabelCH

ATT-KWC-MASS-WASSERAUSTRITT

Materiaali

IviCode

5 l/min (3 bar)

mit\_Ablaufgarnitur

Flexible\_Anschlusschläuche

Kiinnitetty

topbedient

chromeline

Standmontage

01

160

yes

A140

A

95

Messinki

0

