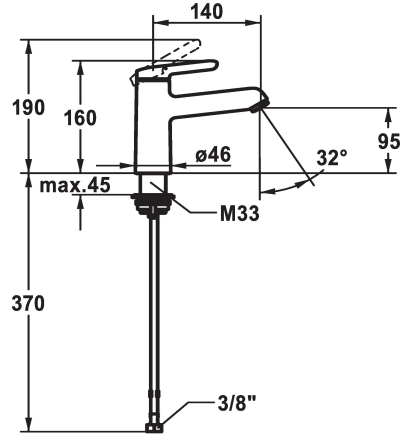


## KWC WAMAS 2.0 Lever mixer - Basin

Modell-Linie: WAMAS 2.0 | 12.478.052.000FL  
Hanat | Käsi­käyt­toiset hanat



### KWC-No.

**125149**  
chromeline, A 140, flexible connection hoses, with pop-up valve

**125150**  
chromeline, A 140, flexible connection hoses, without pop-up valve

- \* Lever mixer
- \* EcoProtect - water-saving device
- \* Fixed spout
- Neoperl® Perlator® SSR, swivelling jet regulator
- \* KWC cartridge M 35 OP
- with ceramic discs

### ATT-KWC- ABLAUFGARNITUR

mit\_Ablaufgarnitur

ohne\_Ablaufgarnitur

- flow rate and temperature continuously variable
- temperature limitation
- \* Flexible connection hoses 3/8"
- \* QuickInstallation - Fastening via threaded connection with locking screws
- \* Mounting hole size ø35 mm

### Tekniset tiedot

|                             |
|-----------------------------|
| A_Spout_Spray               |
| ATT-KWC-ABLAUFGARNITUR      |
| Connection                  |
| Spout                       |
| Handling                    |
| ATT-KWC-FARBCODE            |
| Installation_type           |
| Faucet_typ                  |
| Measure_Height              |
| G_Acoustic group            |
| Projection_A                |
| EnergyLabelCH               |
| ATT-KWC-MASS-WASSERAUSTRITT |
| Materiaali                  |
| lviCode                     |

|                              |
|------------------------------|
| 5 l/min (3 bar)              |
| ohne_Ablaufgarnitur          |
| Flexible_Anschluss­schläuche |
| Kiinnitetty                  |
| topbedient                   |
| chromeline                   |
| Standmontage                 |
| 01                           |
| 160                          |
| yes                          |
| A140                         |
| A                            |
| 95                           |
| Messinki                     |
| 0                            |

