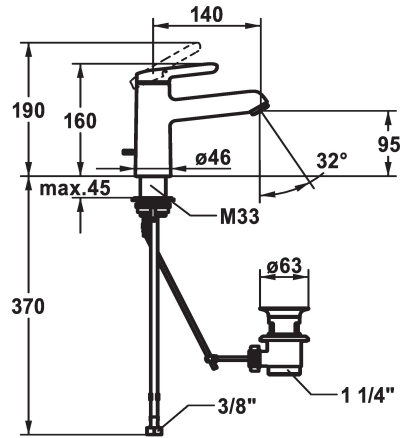


KWC WAMAS 2.0

Lever mixer - Basin - CoolFix

Modell-Linie: WAMAS 2.0 | 12.478.032.000FL
Taps | Manual taps



KWC-No.

125152
chromeline, A 140, flexible connection hoses, with pop-up valve

125153
chromeline, A 140, flexible connection hoses, without pop-up valve

- * Lever mixer
- * CoolFix - Cold water flow with a centered lever
- * EcoProtect - water-saving device
- * Fixed spout
- Neoperl® Perlator® SSR, swivelling jet regulator
- * KWC cartridge M 35 OP
- with ceramic discs
- flow rate and temperature continuously variable

pop-up assembly

with pop-up valve

without pop-up valve

- temperature limitation
- * Flexible connection hoses $\frac{3}{8}$ "
- * QuickInstallation - Fastening via threaded connection with locking screws
- * Mounting hole size $\varnothing 35$ mm
- * Scope of delivery:
- KWC pop-up valve Z.538.581.000

Technical Data

Flow rate	5 l/min (3 bar)
pop-up assembly	with pop-up valve
Connection	Flexible connection hoses
Spout	fixed
Handling	top lever
Color code	chromeline
Installation type	Pillar installation
Faucet_typ	Faucet
Dimension Height	160
Energysaving	Coolfix
Acoustic group	yes
Projection A	A 140
Energy label	A
Dimension Water outlet	95
material	Brass

Flow rate	5 l/min (3 bar)
pop-up assembly	with pop-up valve
Connection	Flexible connection hoses
Spout	fixed
Handling	top lever
Color code	chromeline
Installation type	Pillar installation
Faucet	Faucet
Dimension Height	160
Energysaving	Coolfix
Acoustic group	yes
Projection A	A 140
Energy label	A
Dimension Water outlet	95
material	Brass

