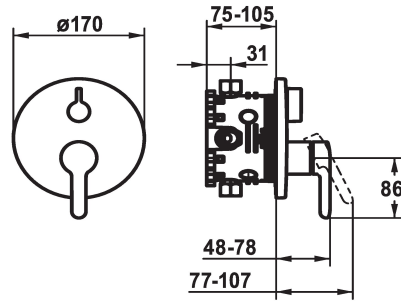


KWC WAMAS 2.0 Trim kit - Lever mixer - Tub

Modell-Linie: WAMAS 2.0 | 20.474.500.000
Showers | Exposed bath mixer



KWC-No.

125172
chromeline, Trim kit

125173
chromeline, Trim kit, with vacuum breaker

- * Trim kit with function unit
- * Outflow top and below
- * Turning handle for diverter
- * KWC cartridge M 35 H
- with ceramic discs
- flow rate and temperature continuously variable
- * Scope of delivery:

Concealed_unit

Trim kit

Trim kit, with vacuum breaker

- Function unit, lever, cap, sleeve, cover plate, holder for escutcheon, diverter
- Fastening of the cover plate without screws
- * To be ordered separately:
- Unit for concealed installation KWC BLUEBOX®
- ½", without shut-off valve, 39.999.900.931
- ¾" (½"), with shut-off valve, 39.999.910.931

Technical Data

| |
|-------------------|
| Flow rate |
| Diameter |
| Handling |
| Color code |
| Installation_type |
| Faucet_typ |
| Acoustic group |
| Concealed_unit |
| Energy Label |
| material |

| |
|------------------|
| 19 l/min (3 bar) |
| D170 |
| front lever |
| chrome |
| Wall mounted |
| Faucet |
| Battery1 |
| Trim kit |
| C |
| Brass |

