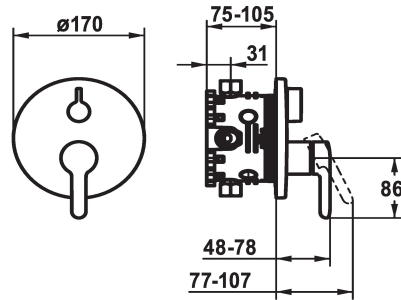


## KWC WAMAS 2.0 Trim kit - Lever mixer - Tub

Modell-Linie: WAMAS 2.0 | 20.474.500.000  
Suihkut ja suihkupaneelit | Allashanat



### KWC-No.

**125172**  
chromeline, Trim kit

**125173**  
chromeline, Trim kit, with vacuum breaker

- \* Trim kit with function unit
- \* Outflow top and below
- \* Turning handle for diverter
- \* KWC cartridge M 35 H
- with ceramic discs
- flow rate and temperature continuously variable
- \* Scope of delivery:

### ATT-KWC-UNTERPUTZ

FM-Set

FM-Set mit SI

- Function unit, lever, cap, sleeve, cover plate, holder for escutcheon, diverter
- Fastening of the cover plate without screws
- \* To be ordered separately:
- Unit for concealed installation KWC BLUEBOX®
- ½", without shut-off valve, 39.999.900.931
- ¾" (½"), with shut-off valve, 39.999.910.931

### Tekniset tiedot

ATT-KWC-A\_ABGANG\_UP

Halkaisija

Handling

ATT-KWC-FARBCODE

Installation\_type

Faucet\_typ

G\_Acoustic group

ATT-KWC-UNTERPUTZ

EnergyLabelCH

Materiaali

IviCode

19 l/min (3 bar)

D170

frontbedient

chromeline

Seinäasennus

01

yes

FM-Set

C

Messinki

0

